

# 450B 8K EPROM and Parallel I/O 455 4K EPROM and Parallel I/O

## Description:

OSI 450 and 455 EPROM boards provide ROM storage and 16 lines of parallel I/O. The 455 Board accepts up to 4K by 8 of the popular 1702 or 3702 type 256 X 8 EPROM. The 450 Board accepts up to 8K by 8 of the 6834 (512 X 8) EPROMs and features an on-board programmer for 6834s.

## Applications:

Both PROM boards are ideal for dedicated applications of the 400 system since they provide permanent storage and parallel I/O. The 455 Board can be used where a small program is needed and a 1702 programmer is available. The 450 Board can be used with much larger programs which can be loaded into PROM right on the board! The 6834 EPROM is one of the easiest to program and is the most cost effective EPROM available.

## Specifications:

**Mechanical:** 8" X 10" G-10 double-sided plated through hole board  
24 I/O connections

**Electrical (Either Board):** Maximum configuration--  
+5V at 2Amps  
-9V at 600ma

**Parallel I/O:** 6820 based parallel I/O with 16 I/O lines and four hand-shake lines.

**455 Board:** Up to 16 1702 type PROMs (4K by maximum). Occupies 4K of contiguous memory.

**450 Board:** Up to 16 6834 type PROMs (8K by 8 maximum). Occupies 8K of contiguous memory.

**450 Board Programmer:** Dedicated Programmer socket; requires -50V at 50ma maximum. Programming is accomplished with included programmer program written for 6502 based systems.

**OHIO SCIENTIFIC**

**product name/number**

450B/455

**date**

8/77

**revision**

B

**page**

28

**status**

Production

**sheet 1 of 1**

## Parts List

### PROM only

- 1 Model 450 Board
- 2 8T26
- 1 7400
- 2 7404
- 1 7420
- 1 7430
- 3 7475
- 1 74154
- 2 1K 1/4 watt (R10, R11)
- 2 IN914 (D3, D4)
- 28 .1uf bypass caps
- 1 25uf 24V electrolytic (C3)
- 1 to 16 S6834 PROMs

### Programmer

- 1 74123
- 1 MC6820 PIA
- 1 100ohm (R3)
- 1 220 ohm (R5)
- 1 1K (R7)
- 4 4.7K (R1, R2, R8, R9)
- 1 18K (R6)
- 1 22K (R4)
- 1 1.0 uf mylar (C1)
- 1 25uf 25V electrolytic (C2)
- 2 IN4001 diode (D1, D2)
- 2 PNP transistors 2N398B or equiv. (Q1, Q2)
- 1 DPDT slide switch
- 1 24-pin socket (ZIF preferred)
- 1 4 pin Molex (KK-156) Power connections

### Optional

#### PROM Sockets as Desired

- 4 Molex KK-156 Connectors (B1-B48)
- 2 Molex KK-156 Connectors (F1-F24) (PIA PORT only)

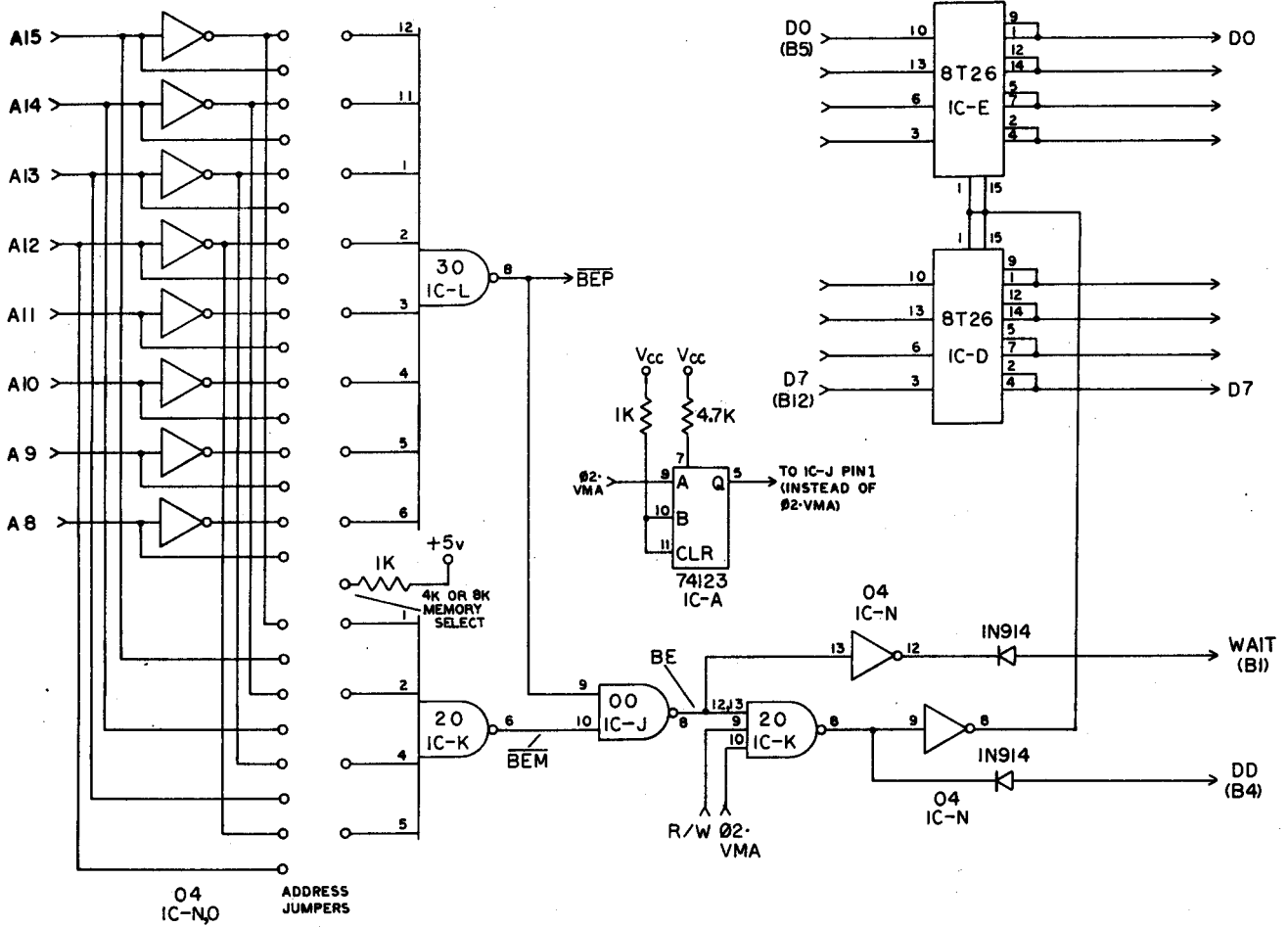


DIAGRAM 1- ADDRESS DECODING

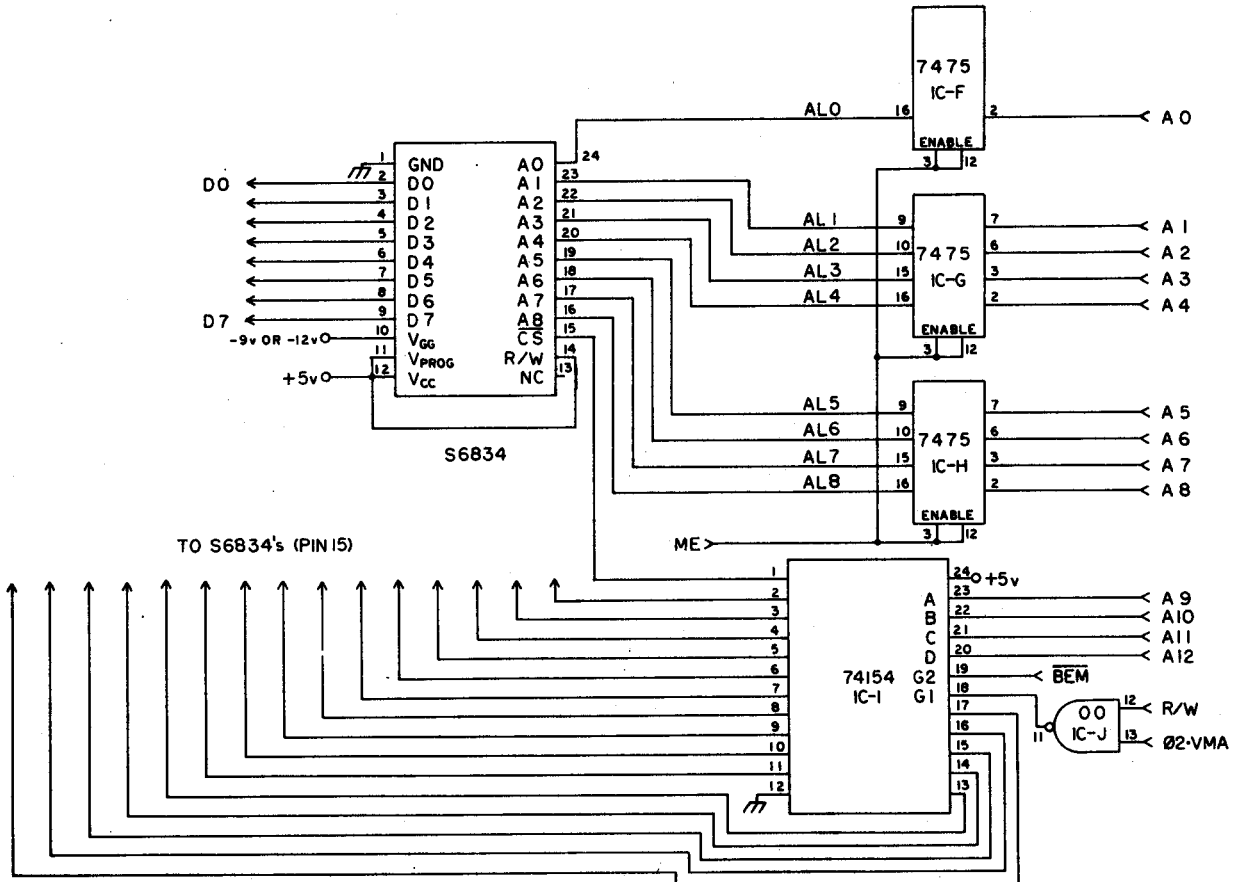
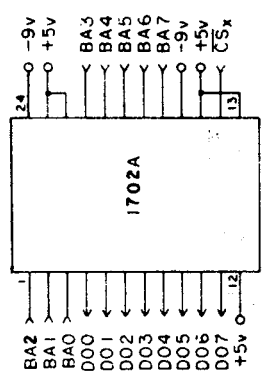
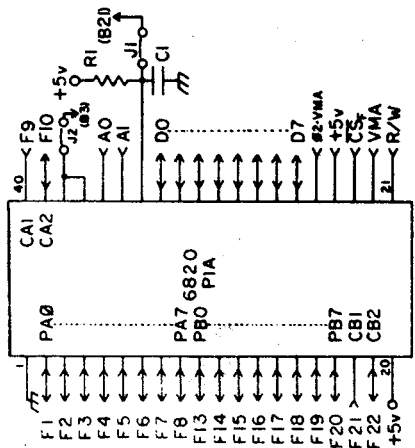
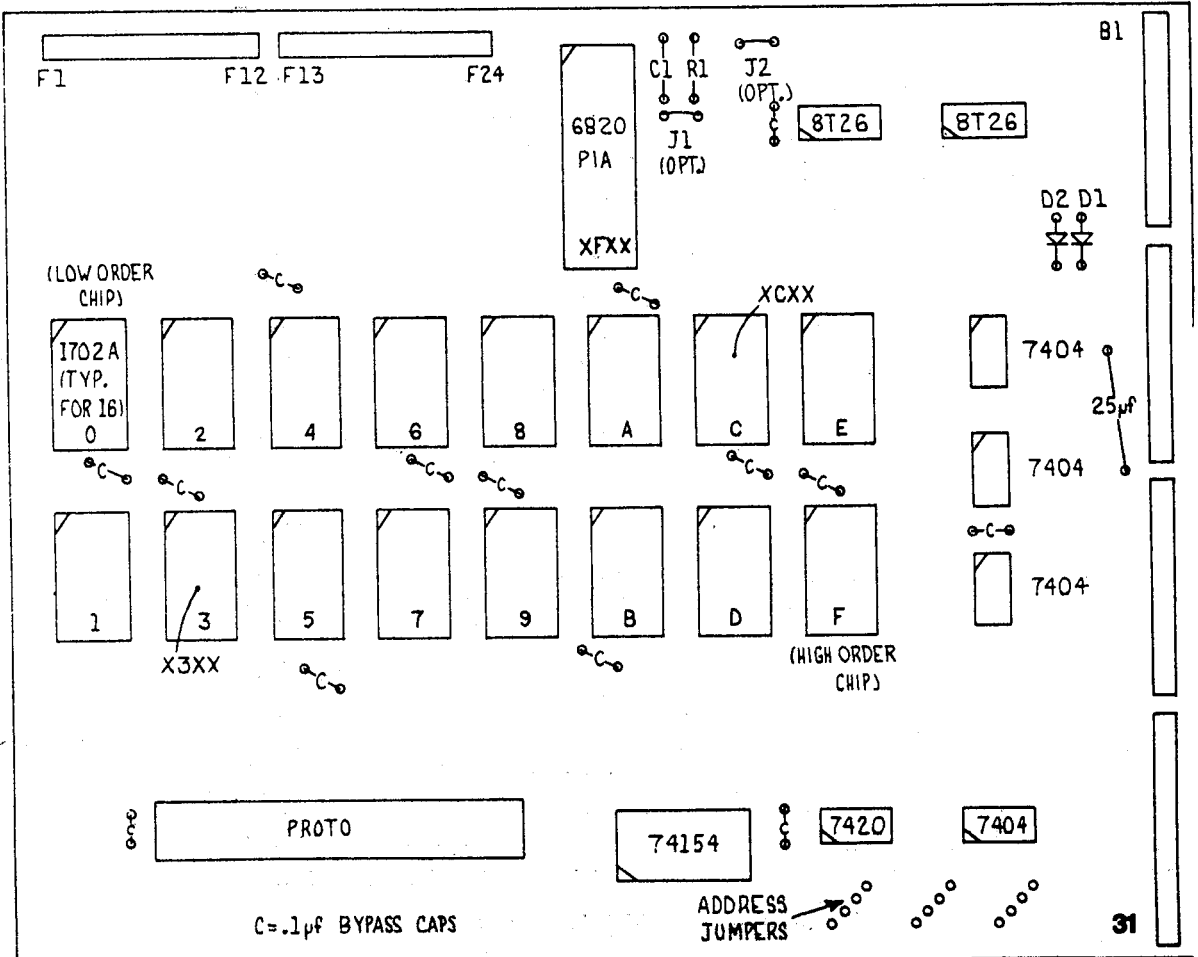
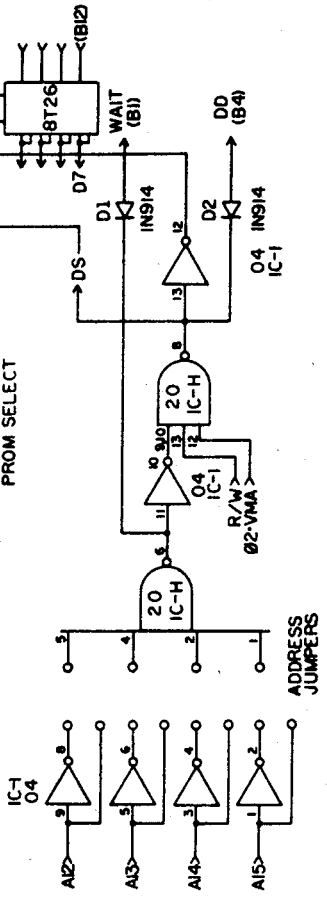
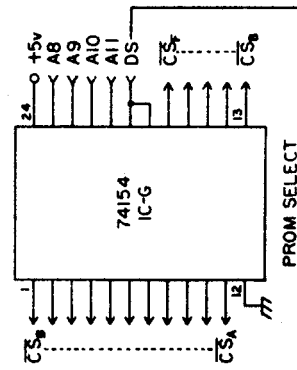


DIAGRAM 2- PROM IMPLEMENTATION



ADDRESS BUFFERING SCHEME



C = .1µf BYPASS CAPS

ADDRESS JUMPERS

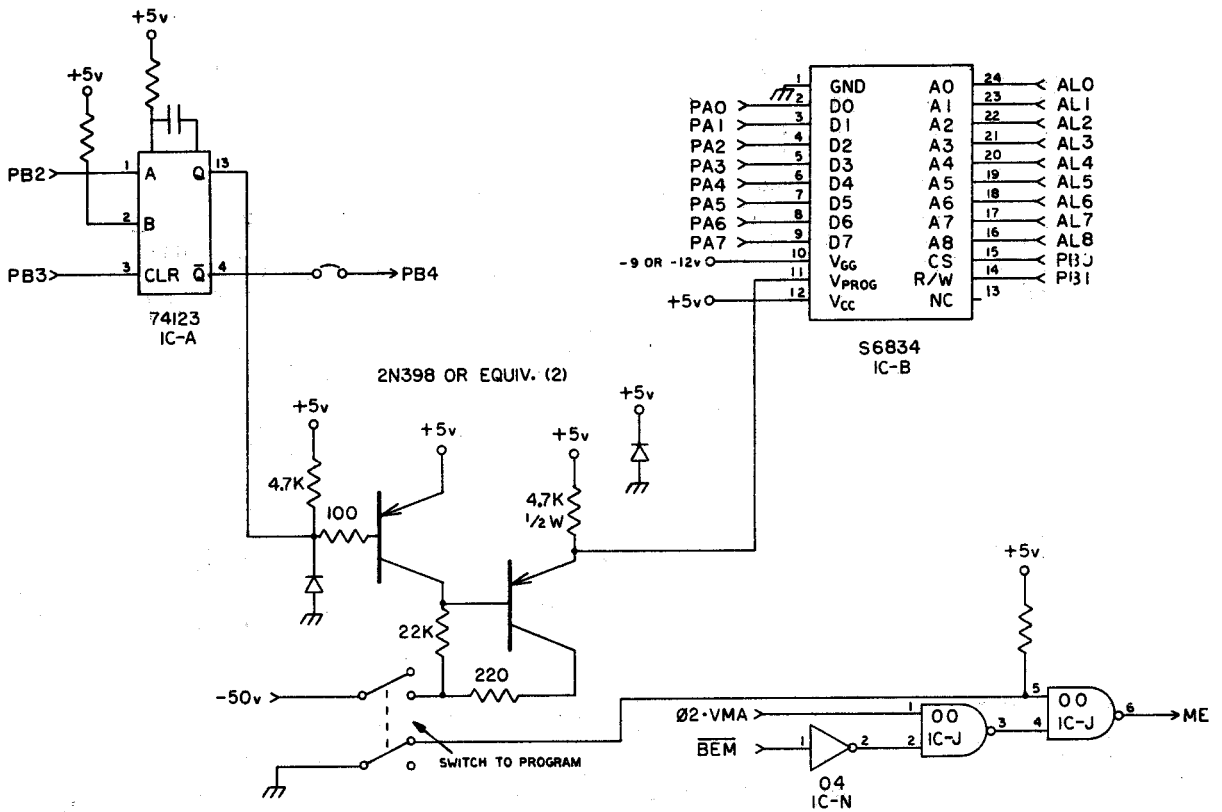


DIAGRAM 4- PROM PROGRAMMER

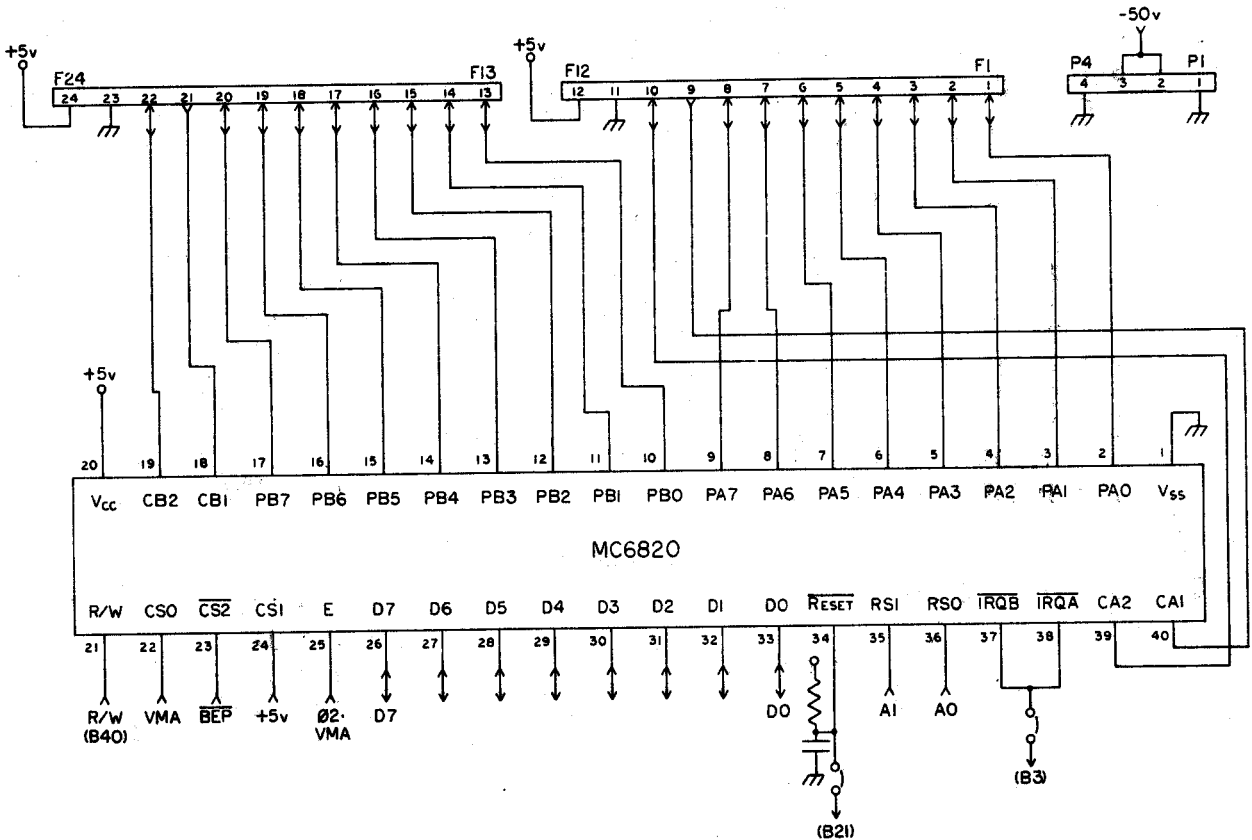


DIAGRAM 3- PIA

