

MODEL 502 SCHEMATICS

OHIO SCIENTIFIC

product name/number

502 SCHEMATICS

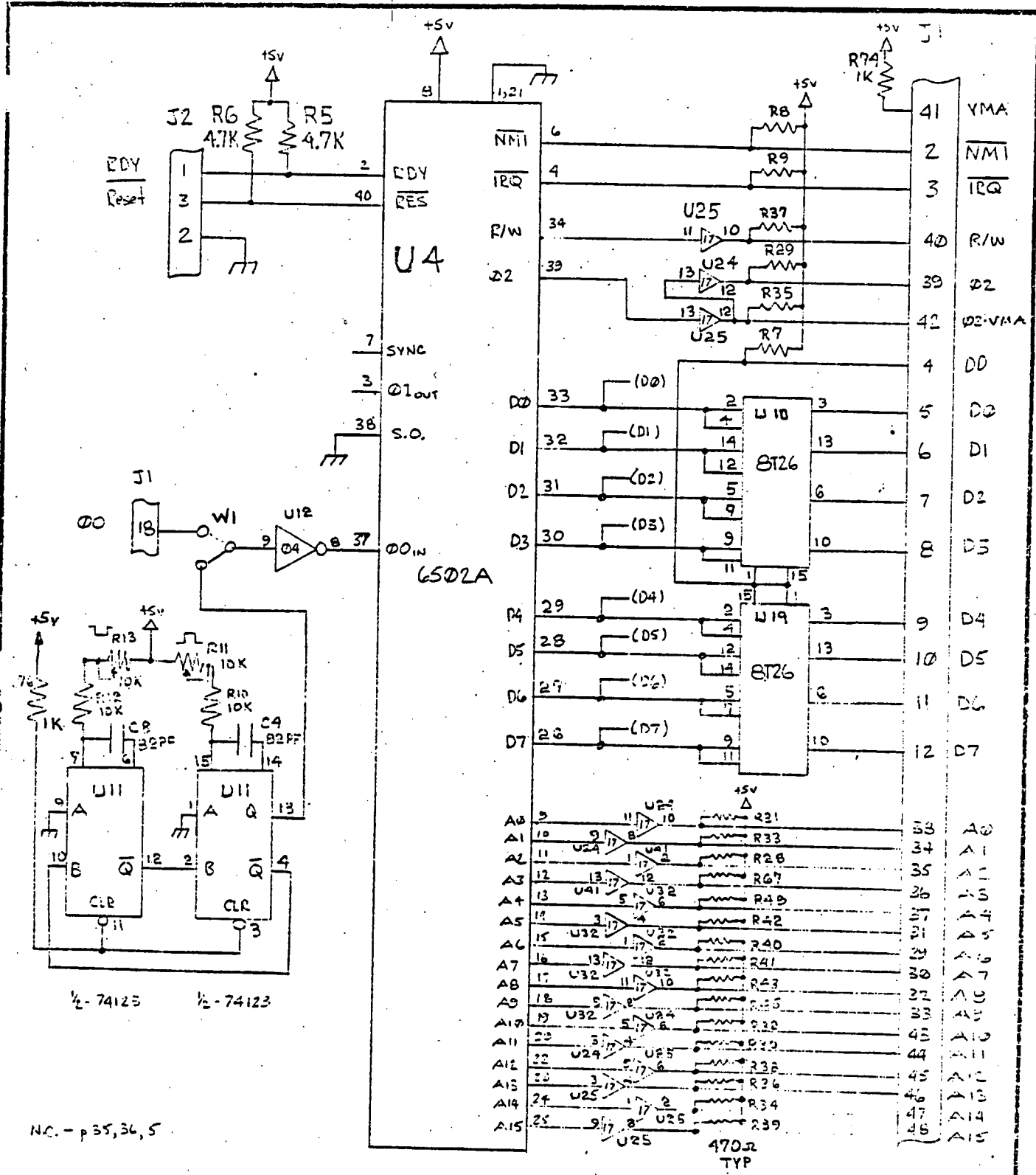
date

revision

page

status

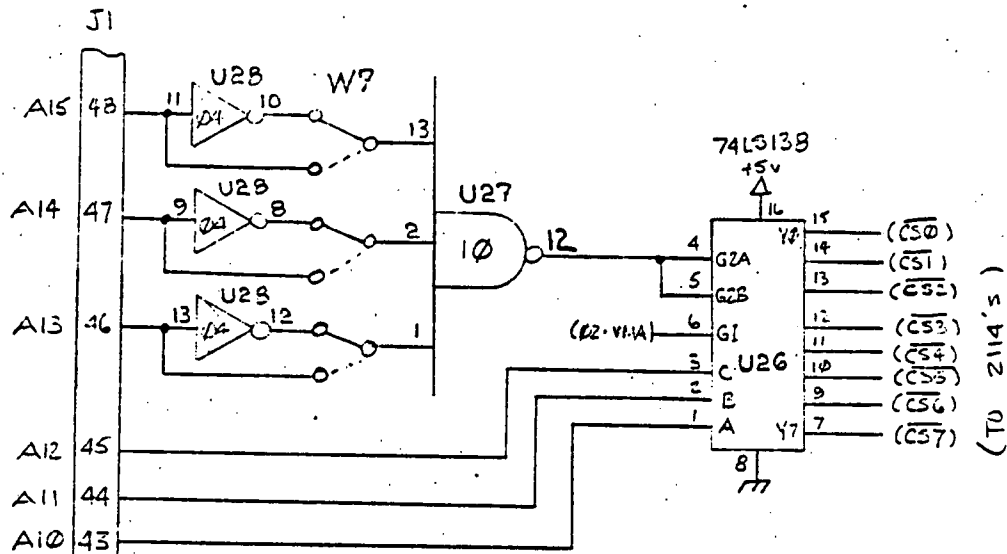
sheet of



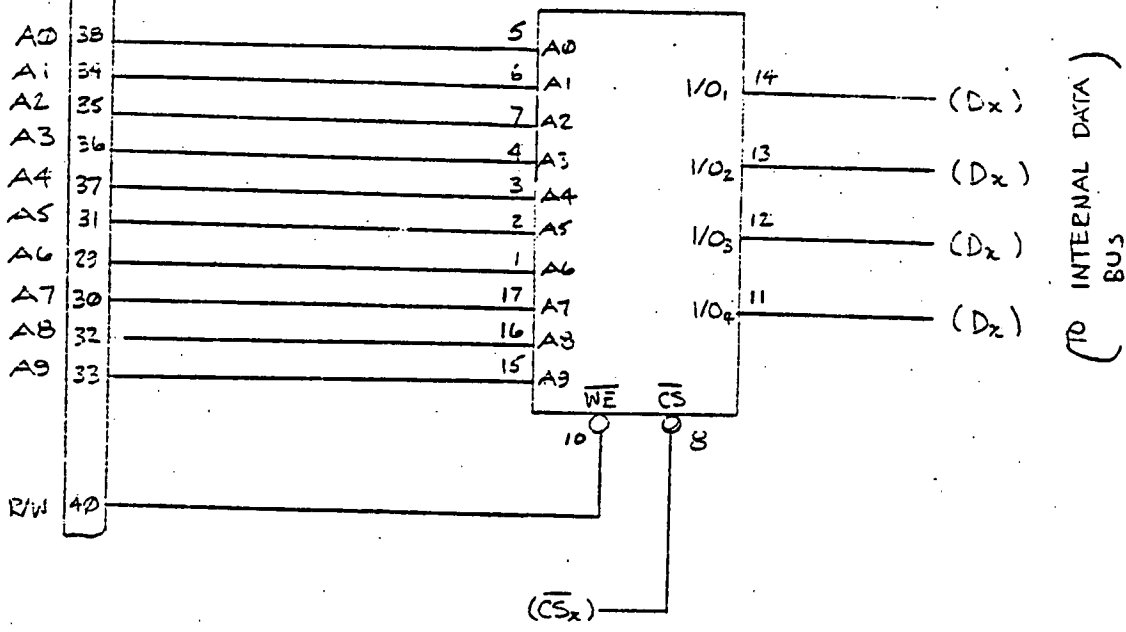
OHIO SCIENTIFIC

product name/number
 MODEL 502- μ P AND CLOCK

date	revision	page	status	sheet 1 of 12
------	----------	------	--------	---------------

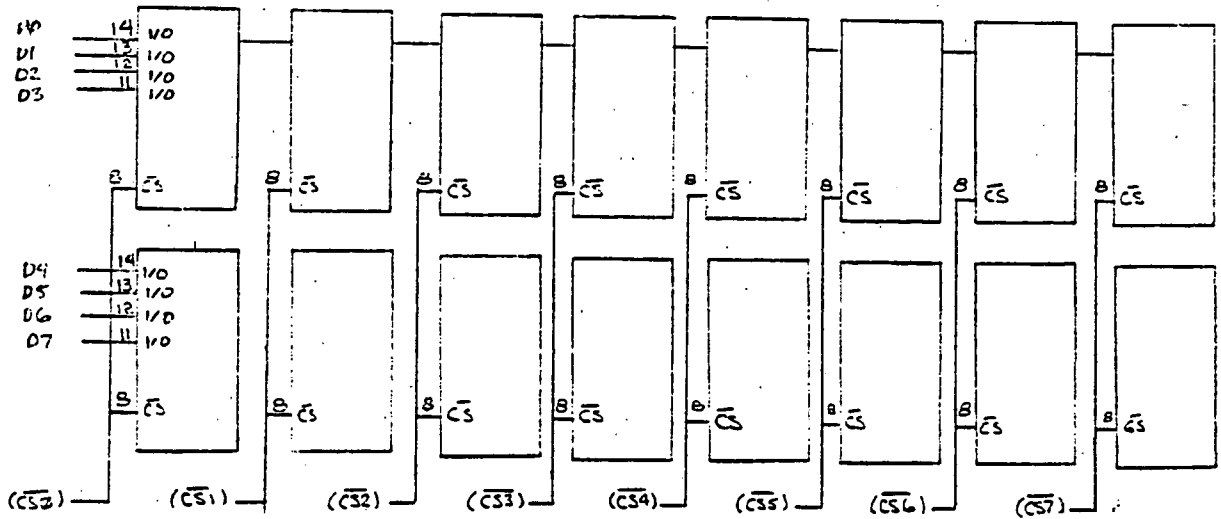


2114 - TYP FOR 16
(SEE SHEET 3/10)



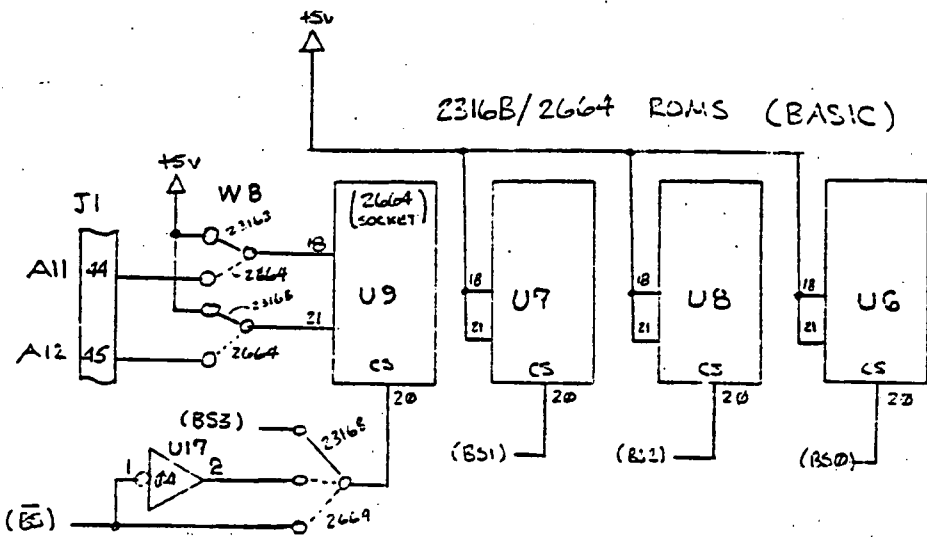
(TO INTERNAL DATA BUS)

OHIO SCIENTIFIC			product name/number MODEL 502 - (RAM)	
date	revision	page	status	sheet 2 of 12



2114 - RAM CHIPS

NOTE - A0-A9 & E/W ARE BUSSED TO ALL CHIPS.



NOTE - ALL OTHER LINES AS ON SHEET 6/10

OHIO SCIENTIFIC

product name/number

MODEL 582 - (RAM & ROM ARRAY)

date

revision

page

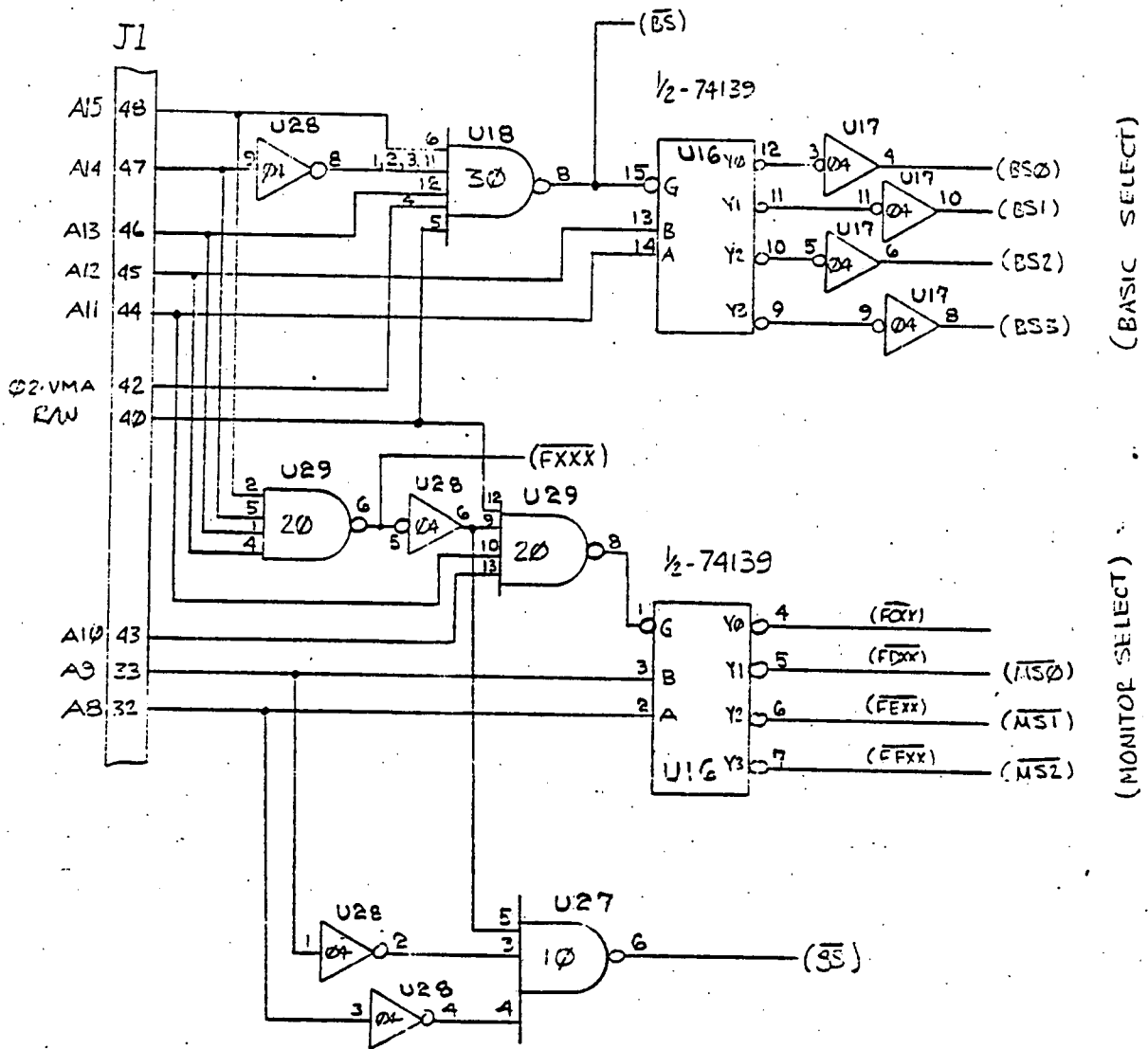
status

sheet

of

3

12



(BASIC SELECT)

(MONITOR SELECT)

OHIO SCIENTIFIC

product name/number
MODEL 502 - (ROM ENABLES)

date

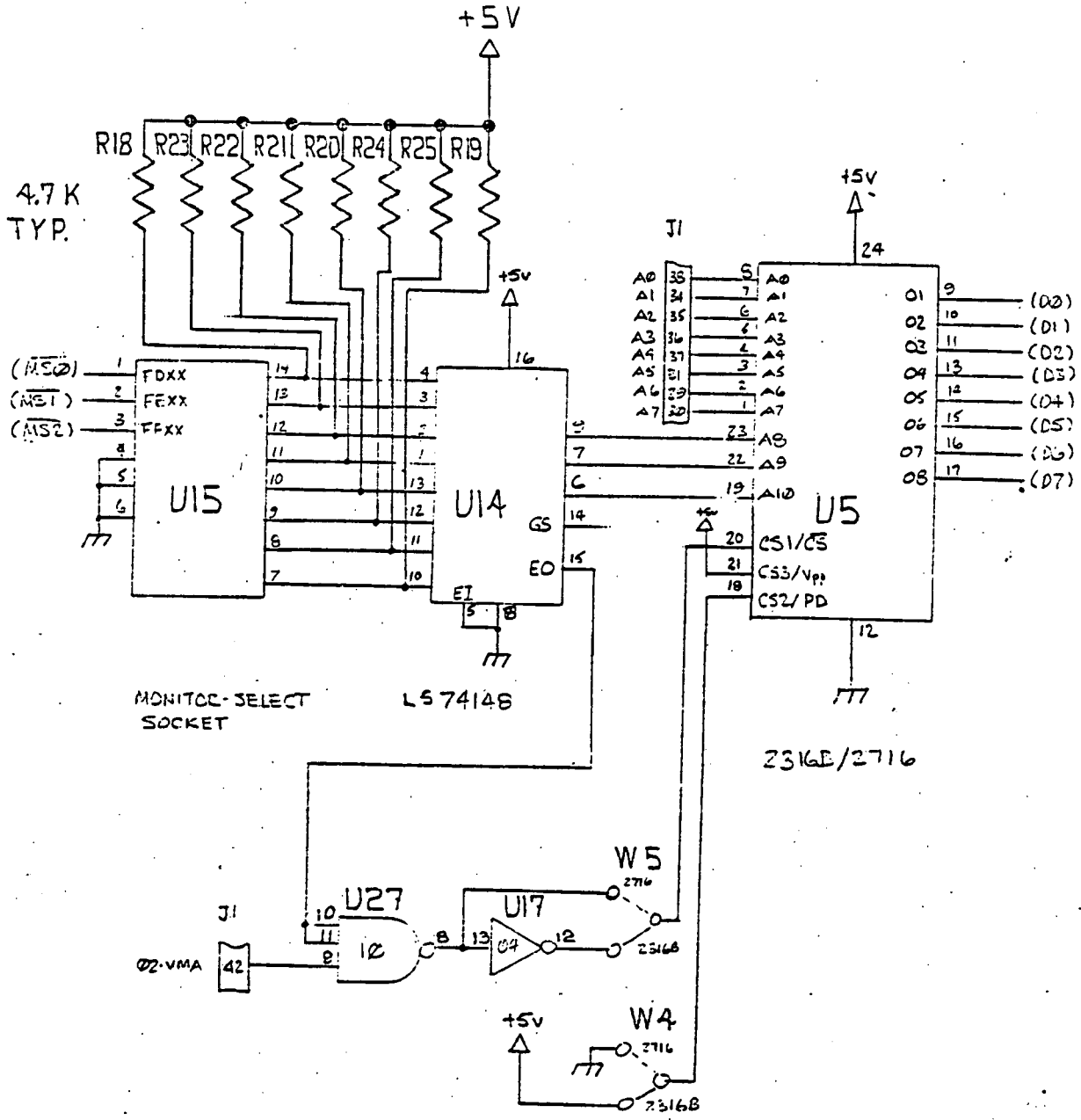
revision

page

status

sheet 4 of

12

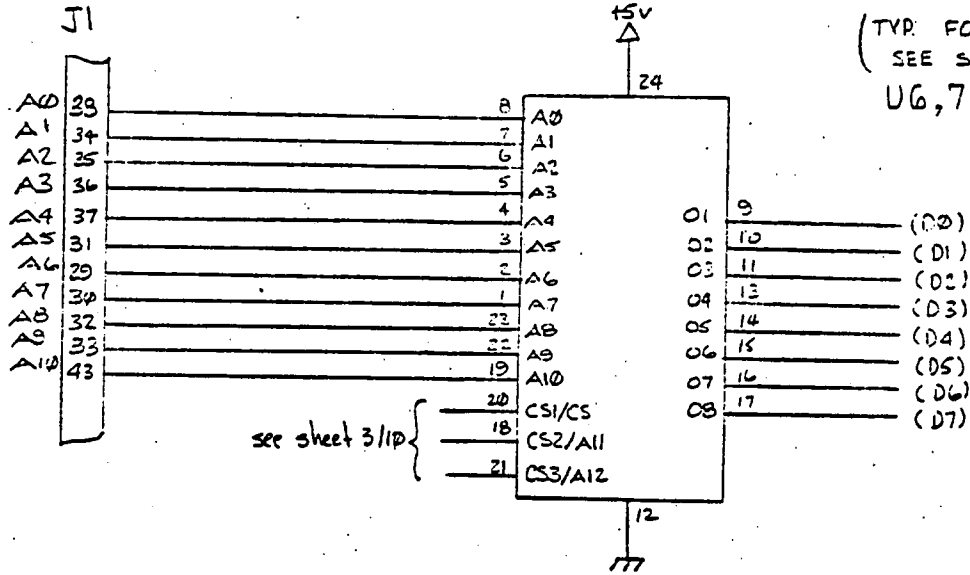


OHIO SCIENTIFIC

product name/number
 MODEL 502 - (MONITOR ROM)

date	revision	page	status	sheet 5 of 12
------	----------	------	--------	---------------

2316E/2664



(TYP. FOR 4-
SEE SHEET 3/10)
06,7,8,9

OHIO SCIENTIFIC

product name/number

MODEL 502- (BASIC FORMS)

date

revision

page

status

sheet

of

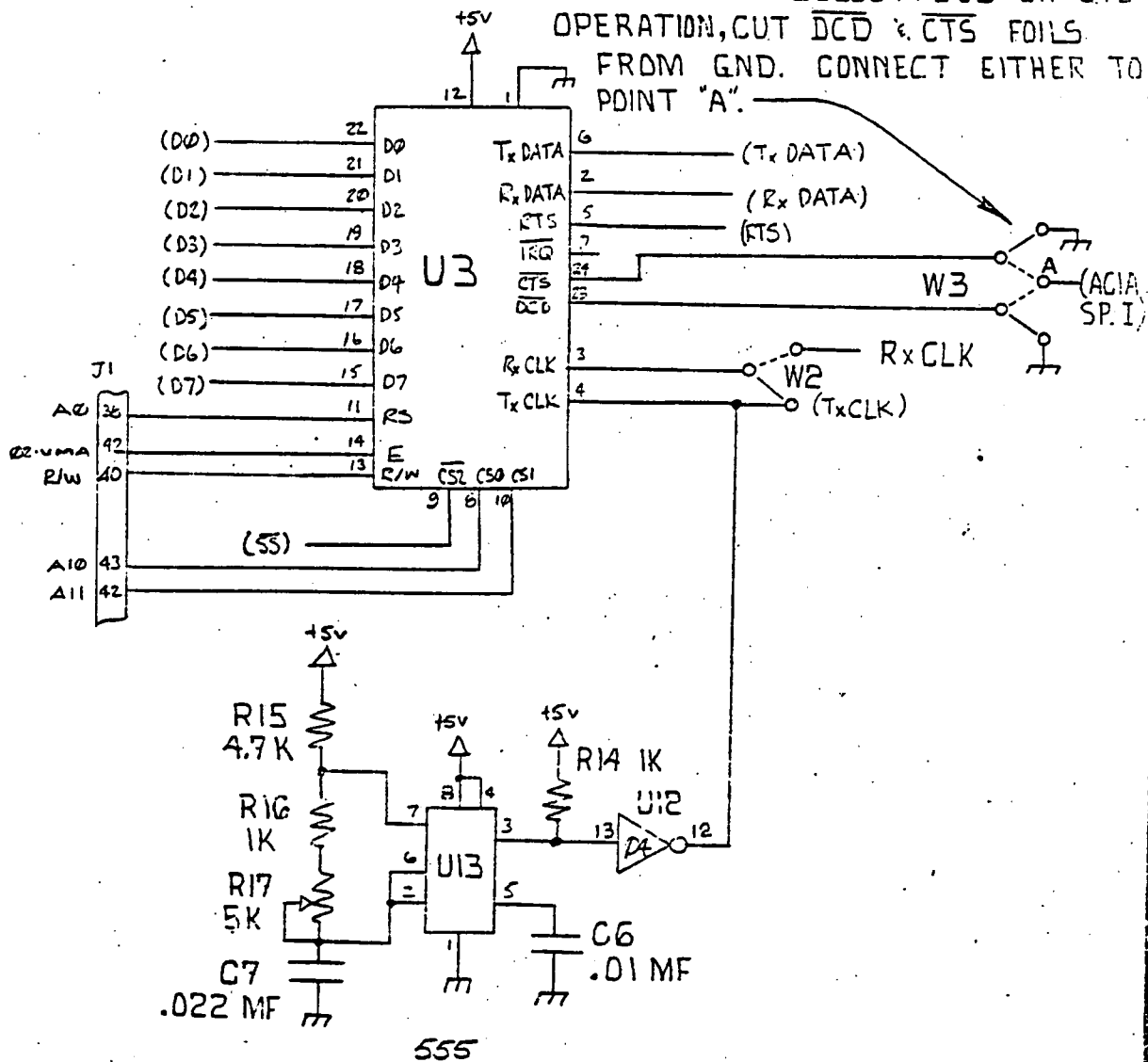
12

6

6350
ACIA

NOTE:

TO SELECT \overline{DCD} OR \overline{CTS}
OPERATION, CUT \overline{DCD} & \overline{CTS} FOILS
FROM GND. CONNECT EITHER TO
POINT "A".



OHIO SCIENTIFIC

product name/number

MODEL 502- (AUDIO CASSETTE)

date

revision

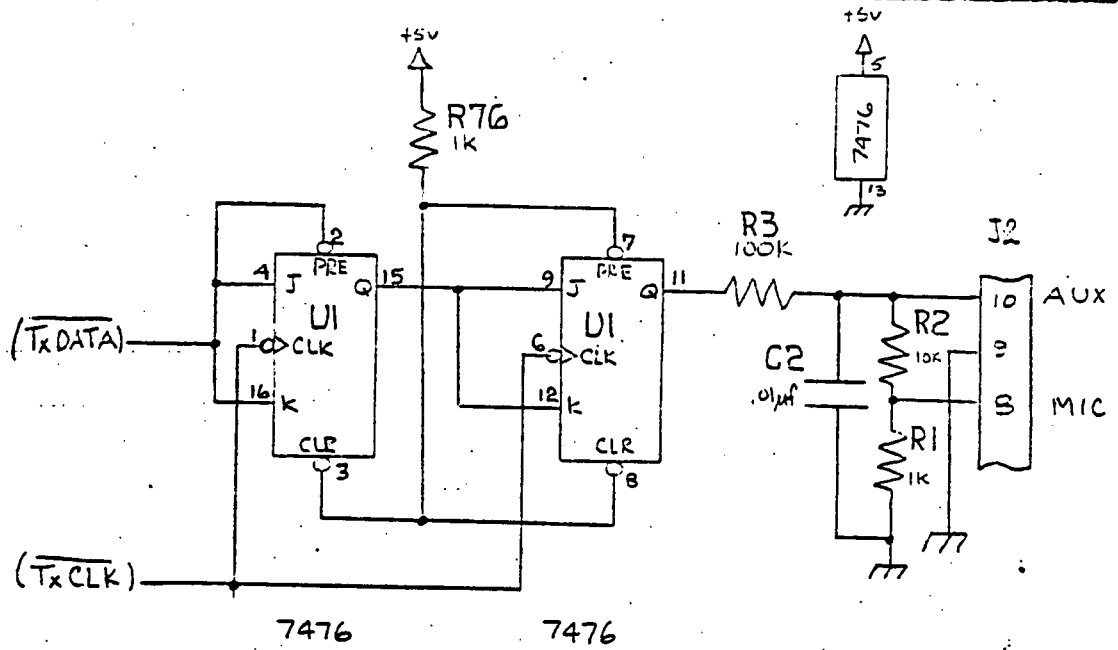
page

status

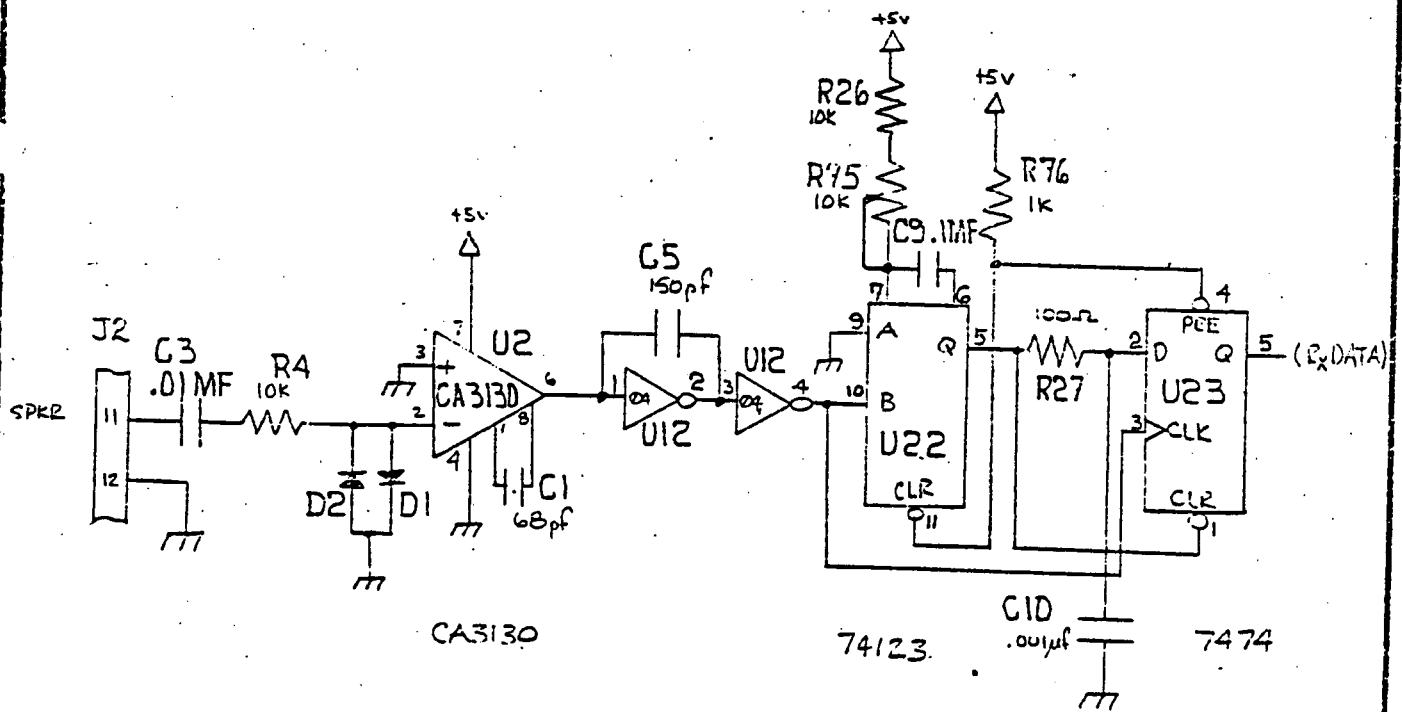
sheet

7 of

12



TRANSMITTER

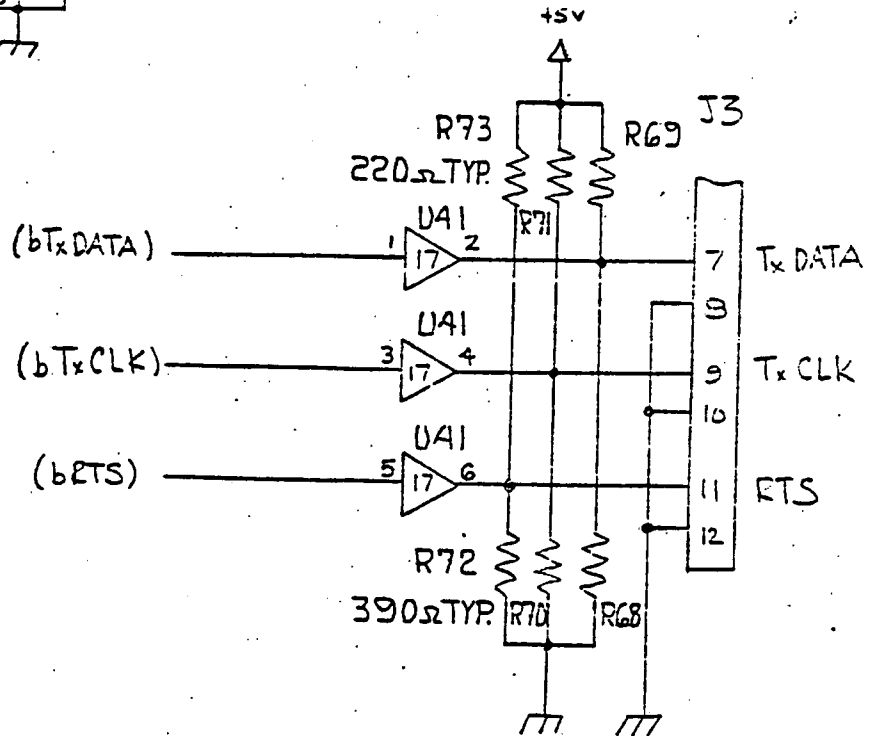
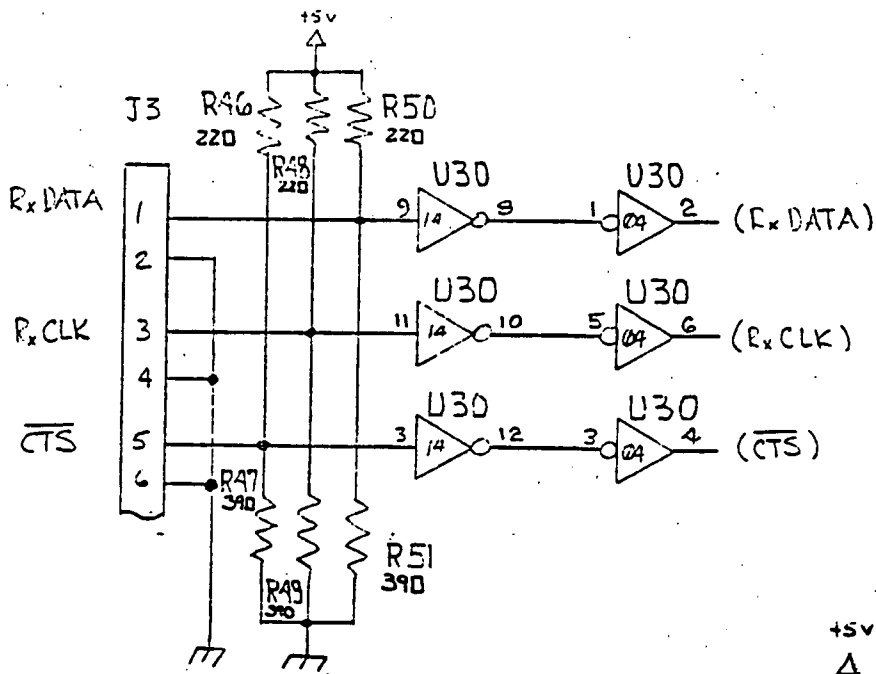


RECEIVER

OHIO SCIENTIFIC

product name/number
MODEL 502 - AUDIO CASSETTE

date	revision	page	status	sheet	of
				8	12



OHIO SCIENTIFIC

product name/number

MODEL 502 - (SYNCHRO. INTERFACE)

date

revision

page

status

sheet

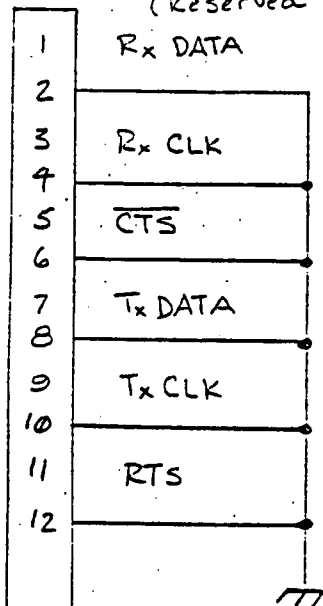
of

3

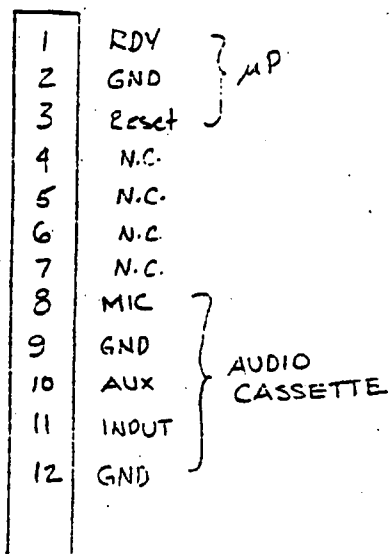
12

J3

(Reserved for synchronous I/O)



J2



OHIO SCIENTIFIC

product name/number

MODEL 502 - (CONNECTORS)

date

revision

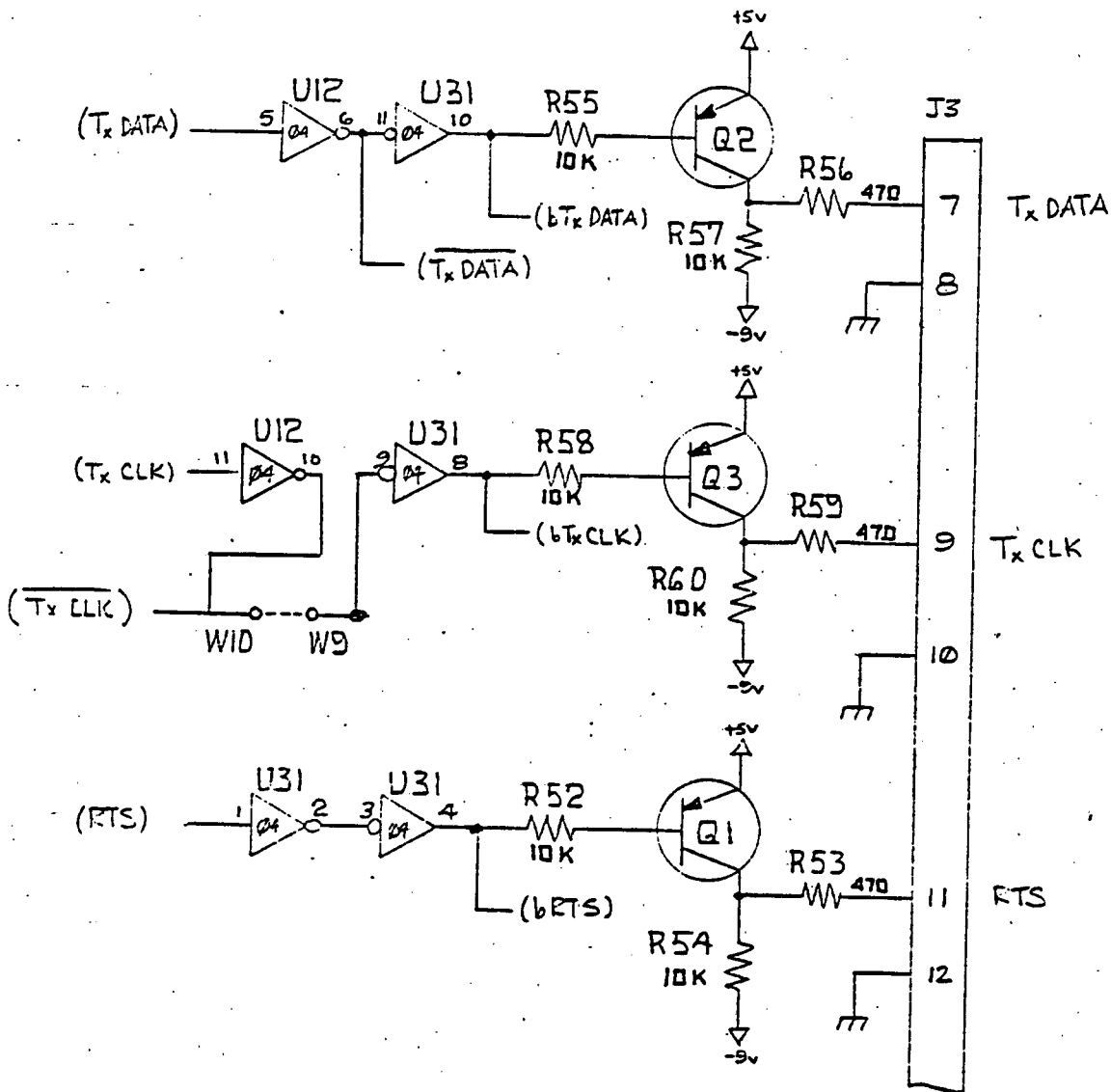
page

status

sheet

of

10 of 12



RS232 DRIVERS

OHIO SCIENTIFIC

product name/number

MODEL 502- (SYNCHRO. INTERFACE, RS232)

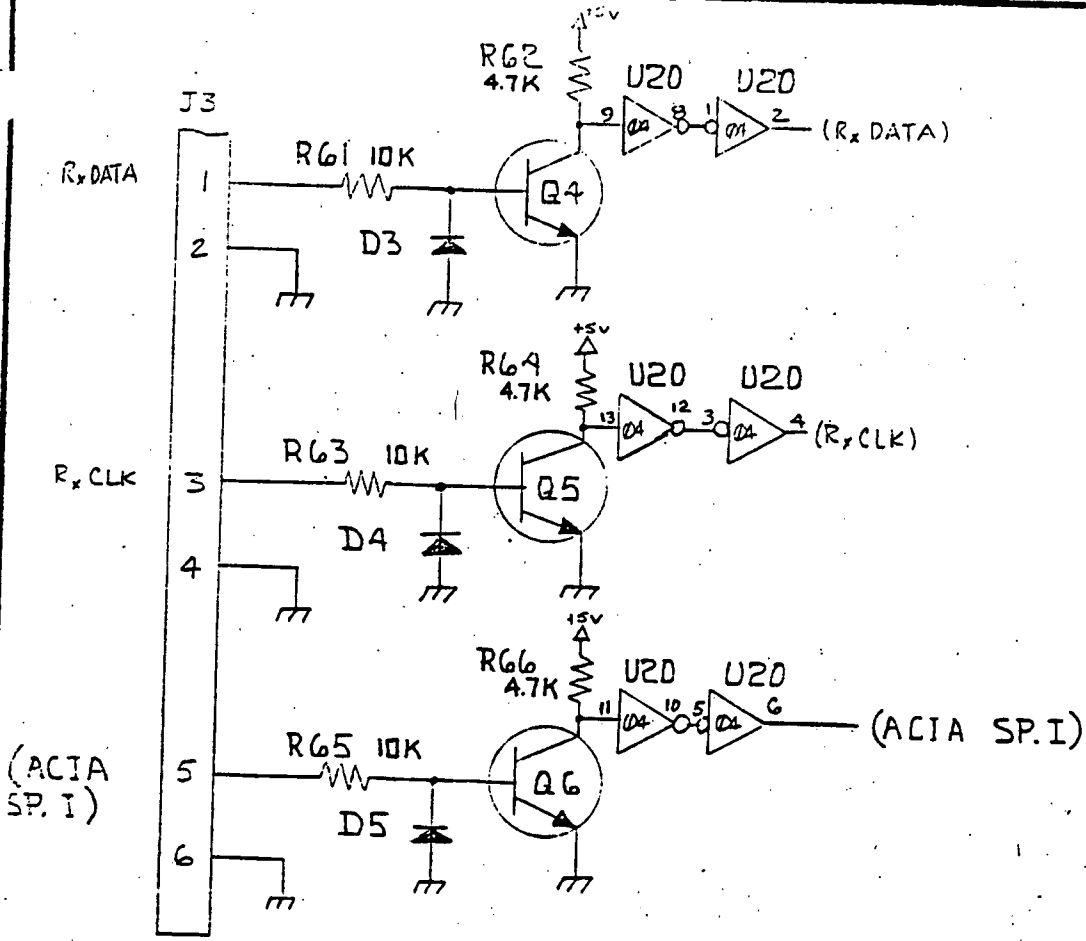
date
26 APR 1973

revision

page

status

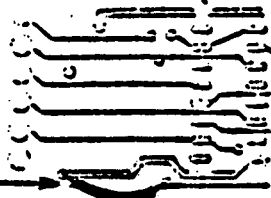
sheet 11 of 12



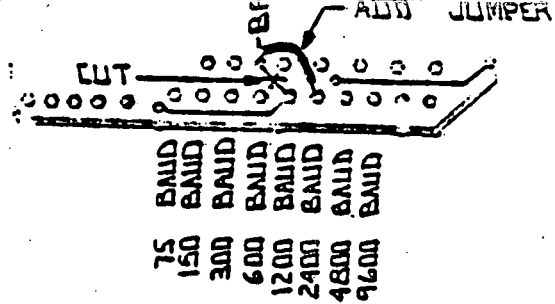
RS232 RECEIVERS

OHIO SCIENTIFIC			product name/number	
			MODEL 532 - (SYNCHRO. INTERFACE, RS232)	
date	revision	page	status	sheet of
26 APR 1976				12 12

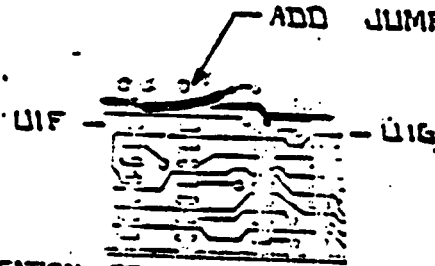
ADD JUMPER



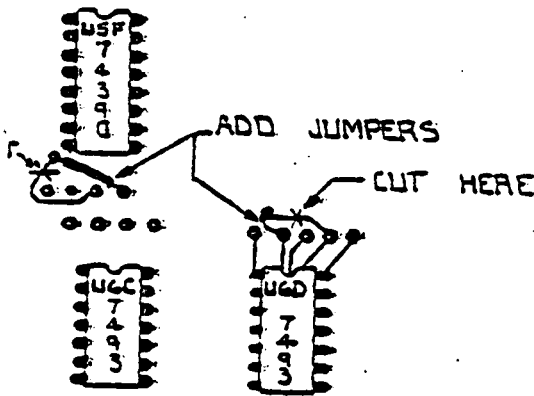
MODIFICATION FOR SERIAL SYSTEMS
REAR VIEW
DETAIL C-2



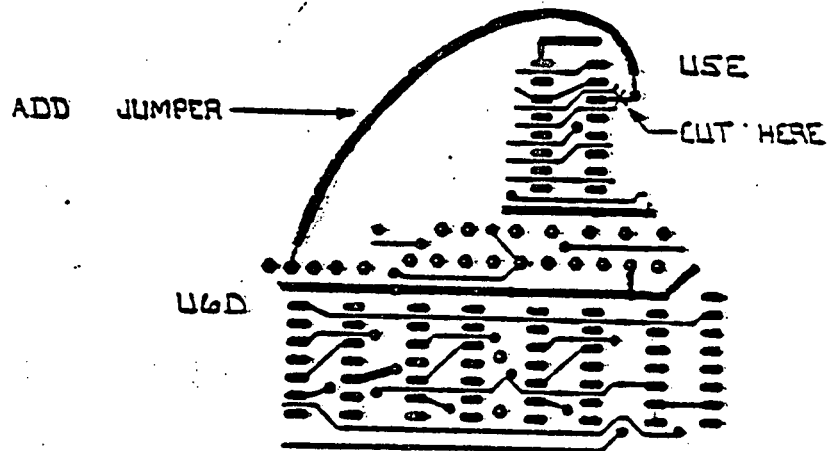
BAUD RATE JUMPER FOR SERIAL SYSTEMS
REAR VIEW
DETAIL C-3



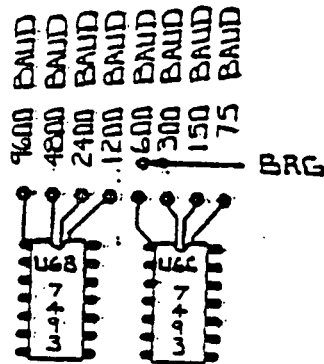
MODIFICATION FOR SERIAL SYSTEMS
REAR VIEW
DETAIL C-4



MODIFICATION FOR 8" FLOPPY
FRONT VIEW
DETAIL D



MODIFICATION FOR 8" FLOPPY
REAR VIEW
DETAIL D-1



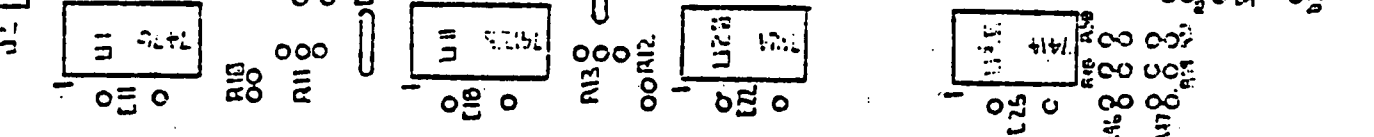
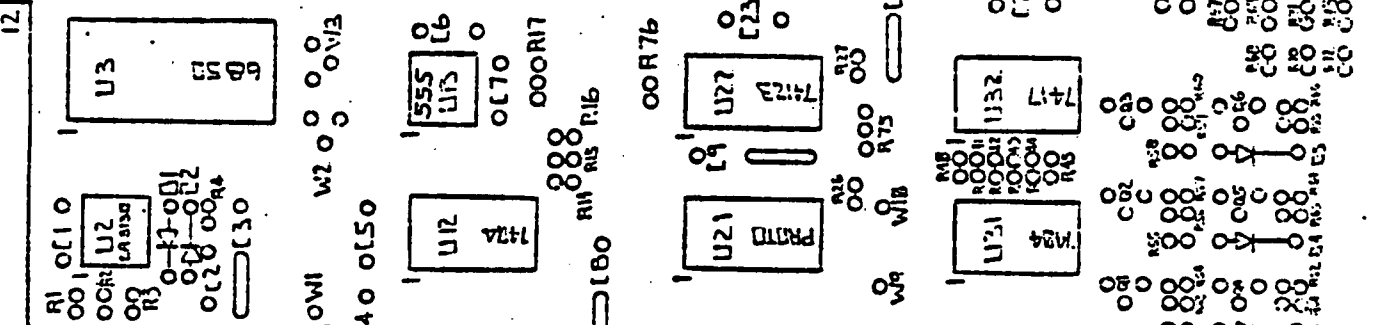
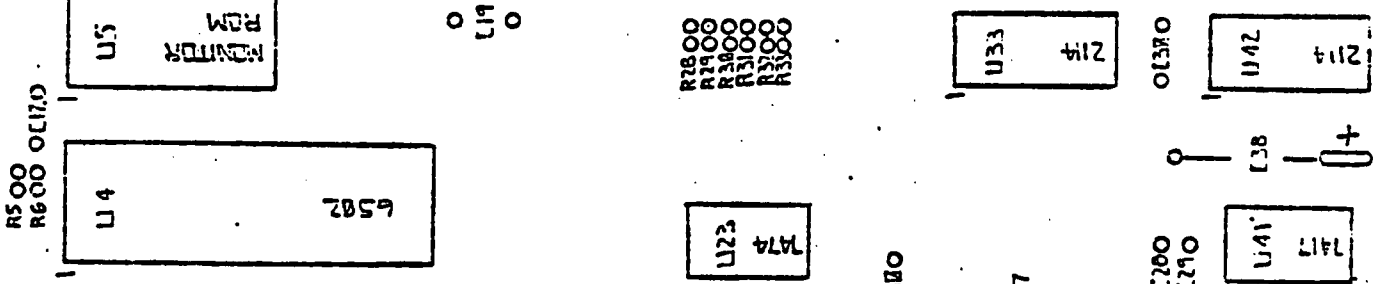
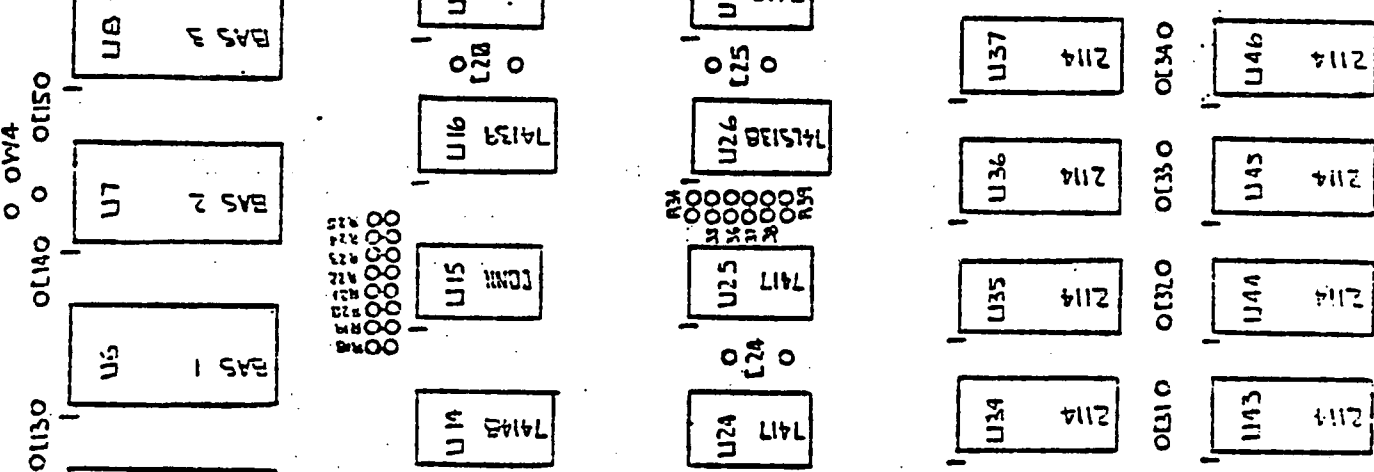
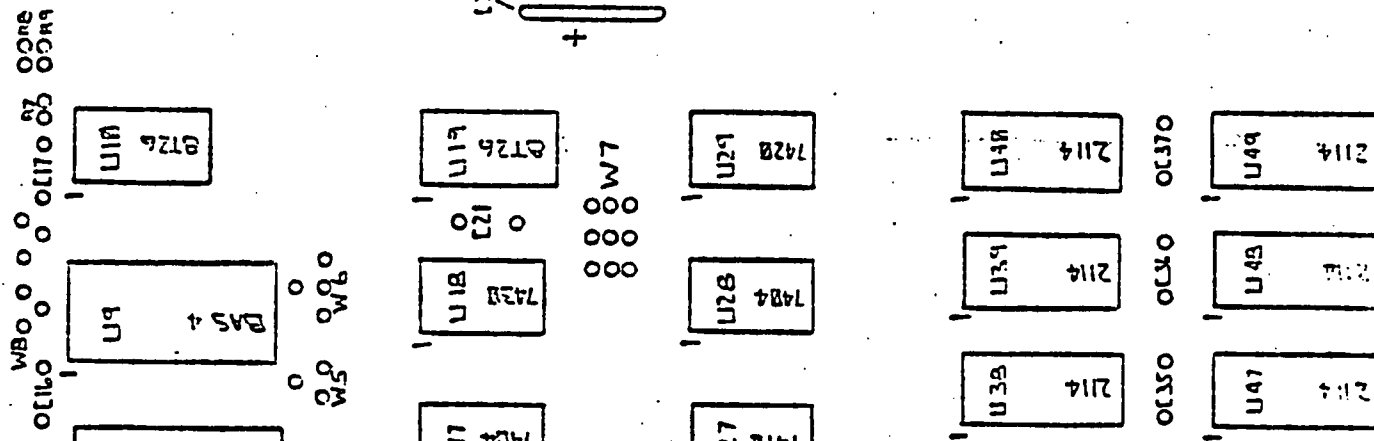
BAUD RATE JUMPERS
FRONT VIEW
DETAIL E

1

+

+

+



2114 U49
2114 U48
2114 U47
2114 U46
2114 U45
2114 U44
2114 U43
2114 U42

2114 U48
2114 U47
2114 U46
2114 U45
2114 U44
2114 U43
2114 U42

12