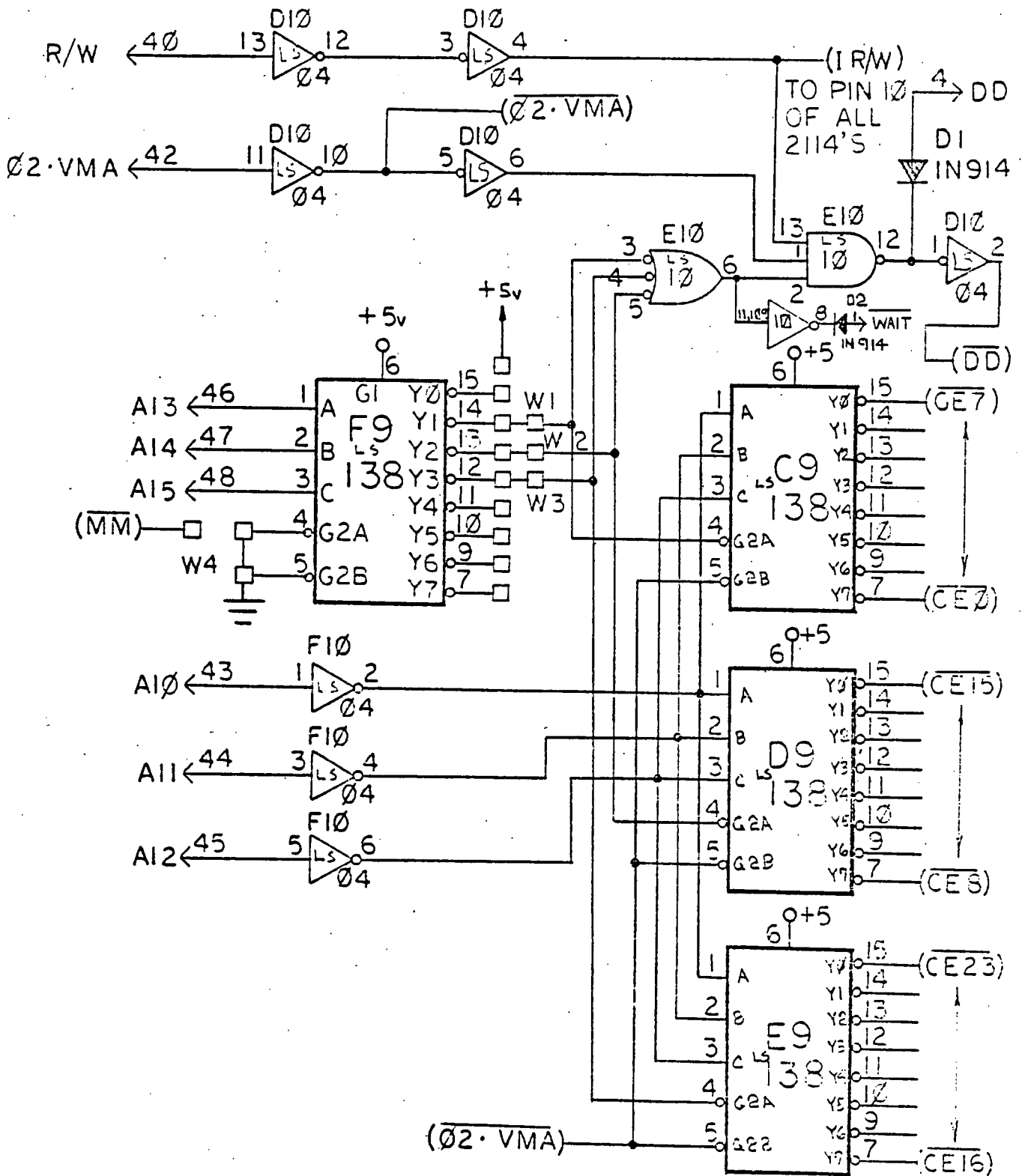


MODEL 527 SCHEMATIC

REV	DATE



OHIO SCIENTIFIC

product name/number

·24 K MEMORY 527

date

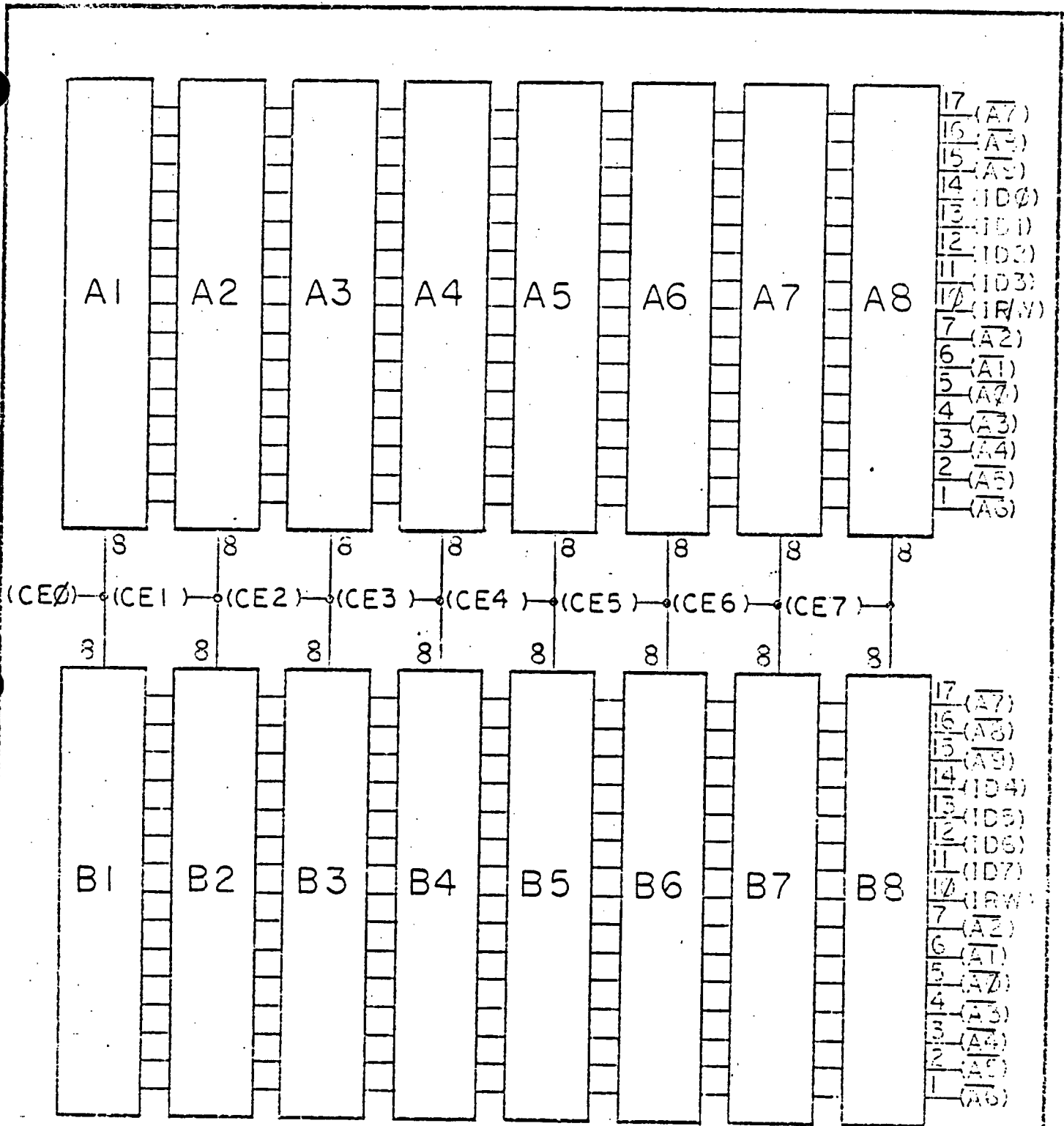
6.27.78

revision

page

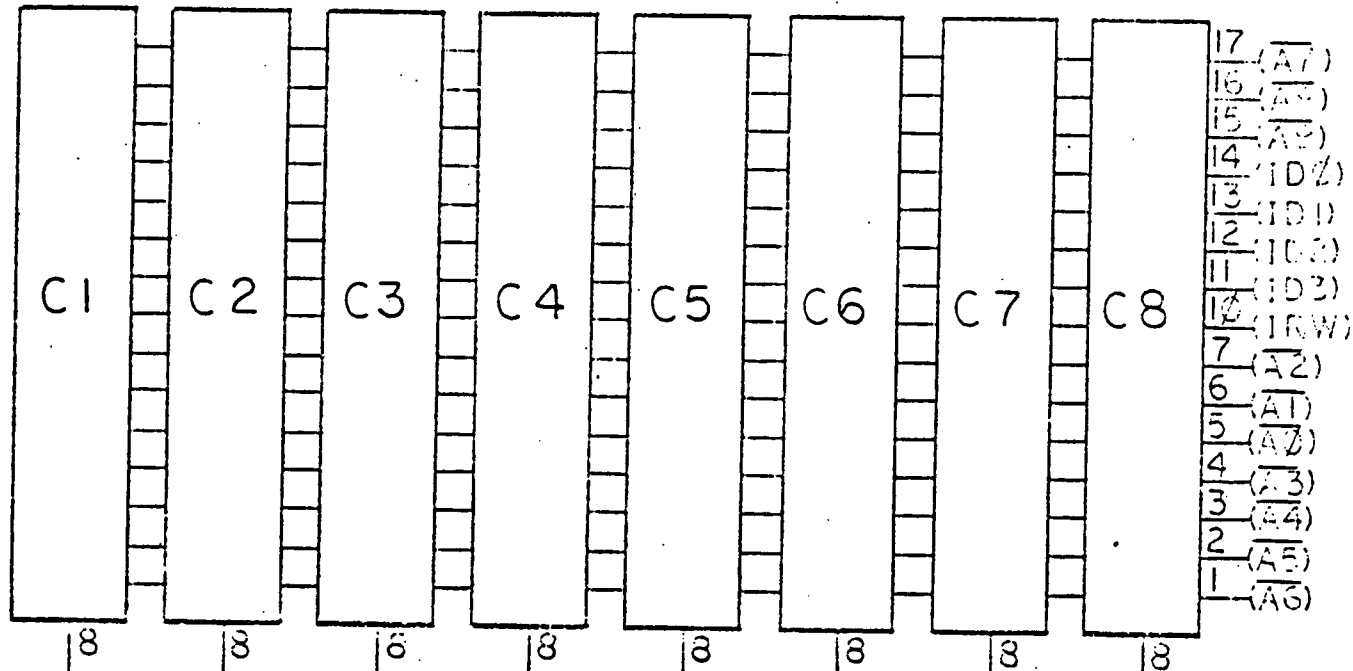
status

sheet 1 of 6

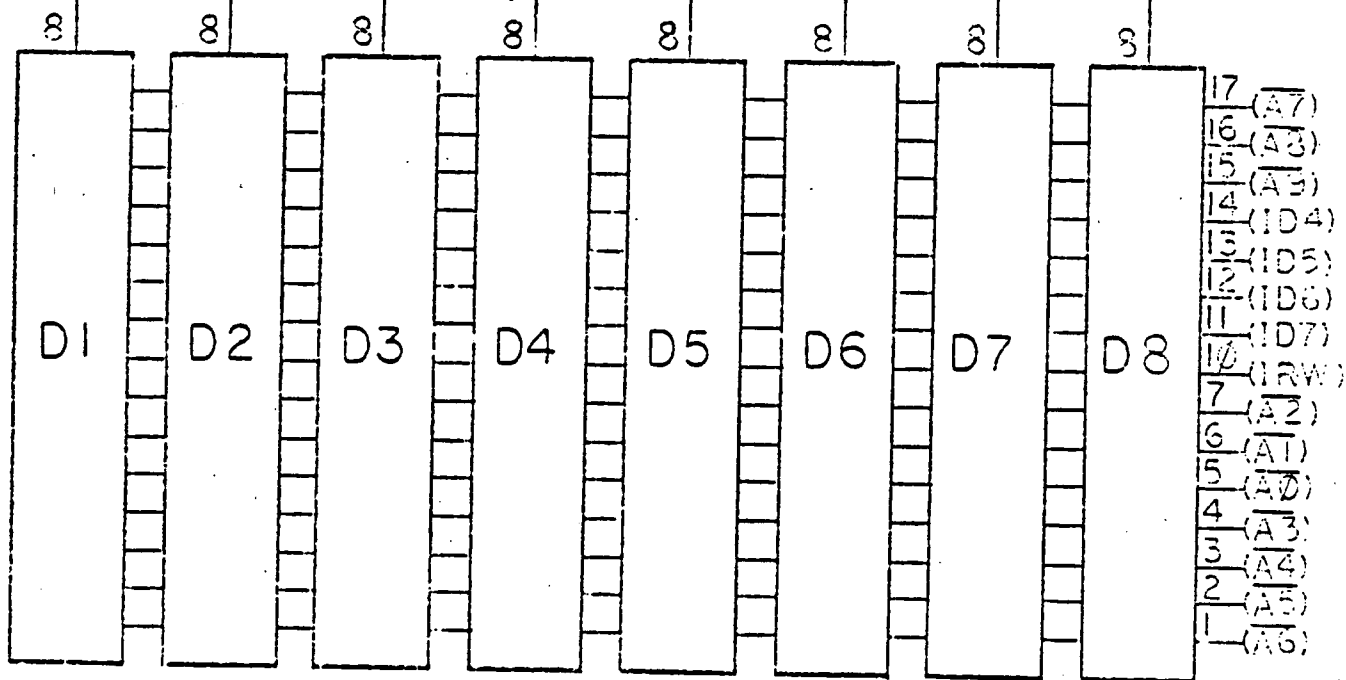


RAMS - 2114

OHIO SCIENTIFIC			product name/number	
			24K MEMORY 527	
date	revision	page	status	sheet 2 of 6
6-27-79				



(CE8) — (CE9) — (CE10) — (CE11) — (CE12) — (CE13) — (CE14) — (CE15)



OHIO SCIENTIFIC

product name/number

24K MEMORY 527

date

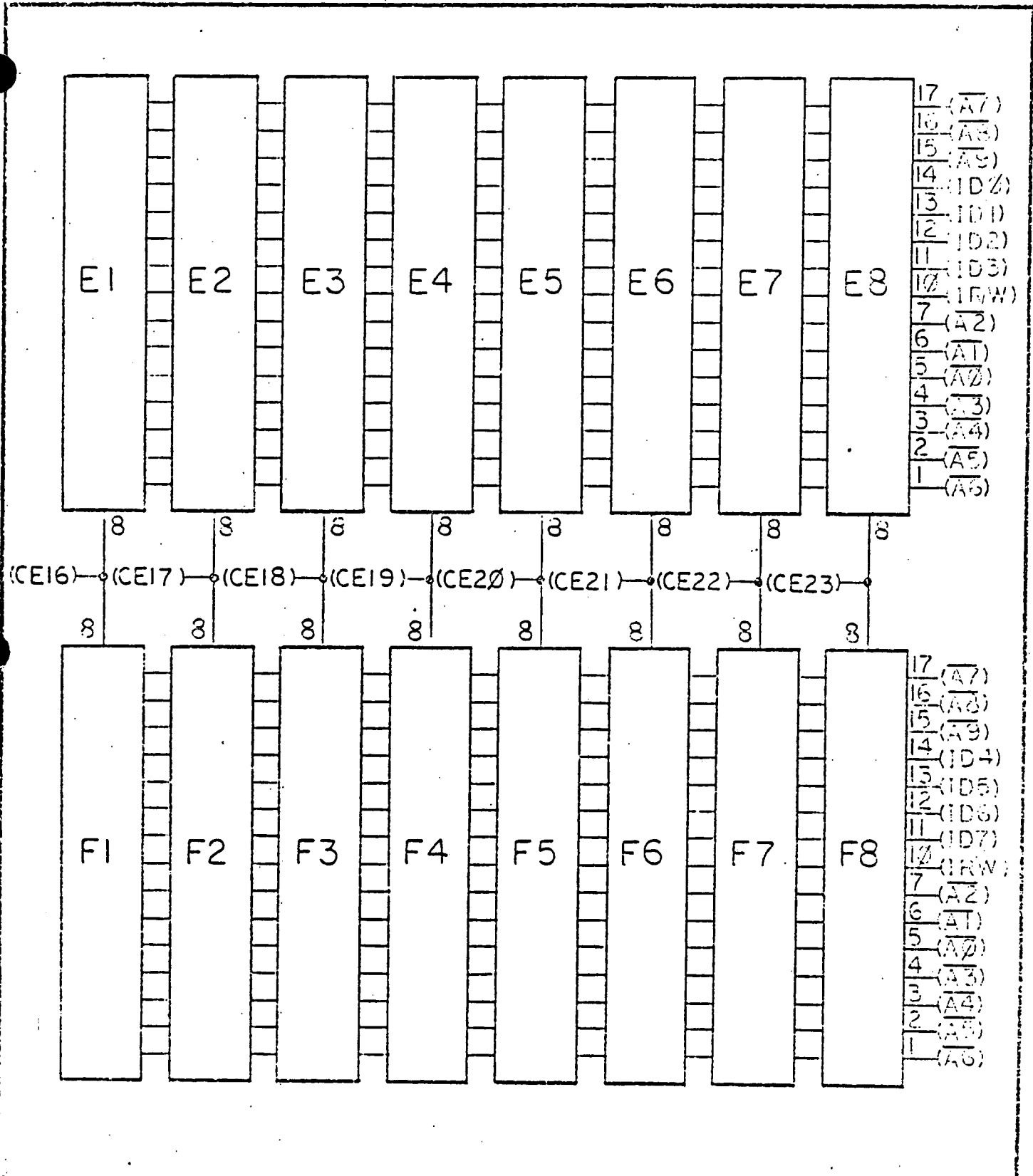
6-27-78

revision

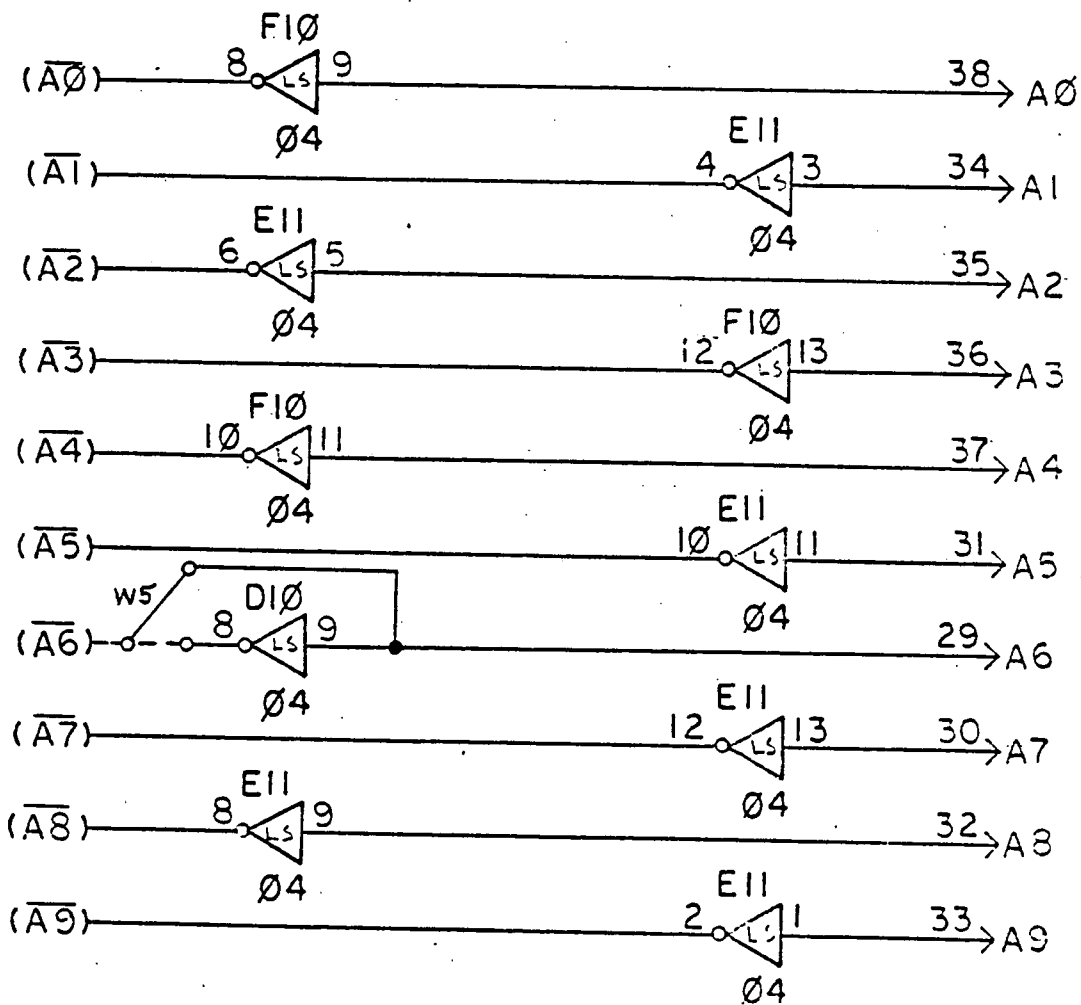
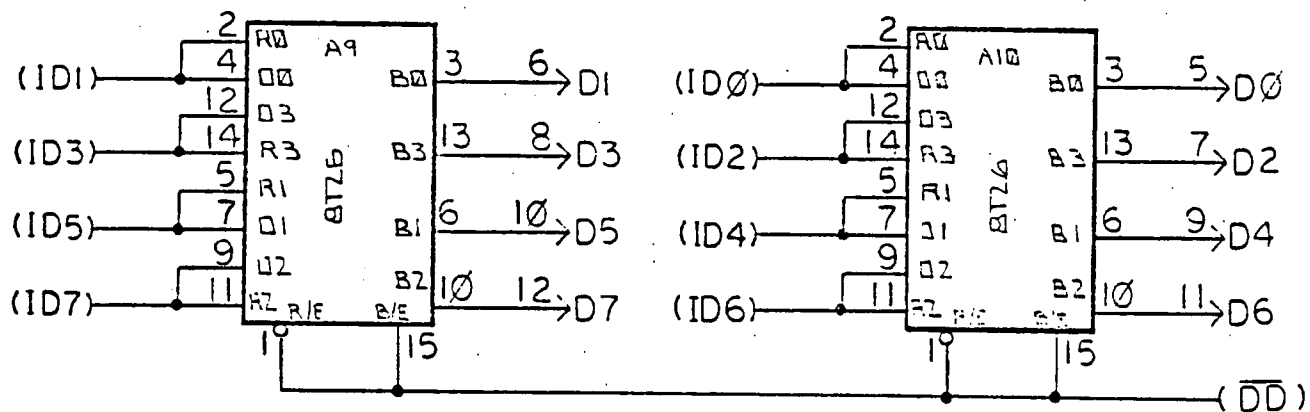
page

status

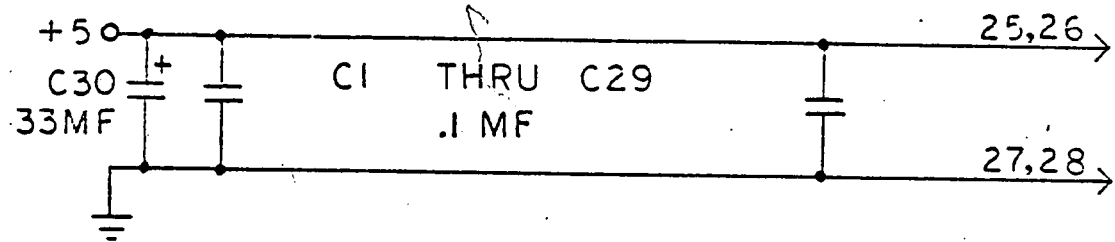
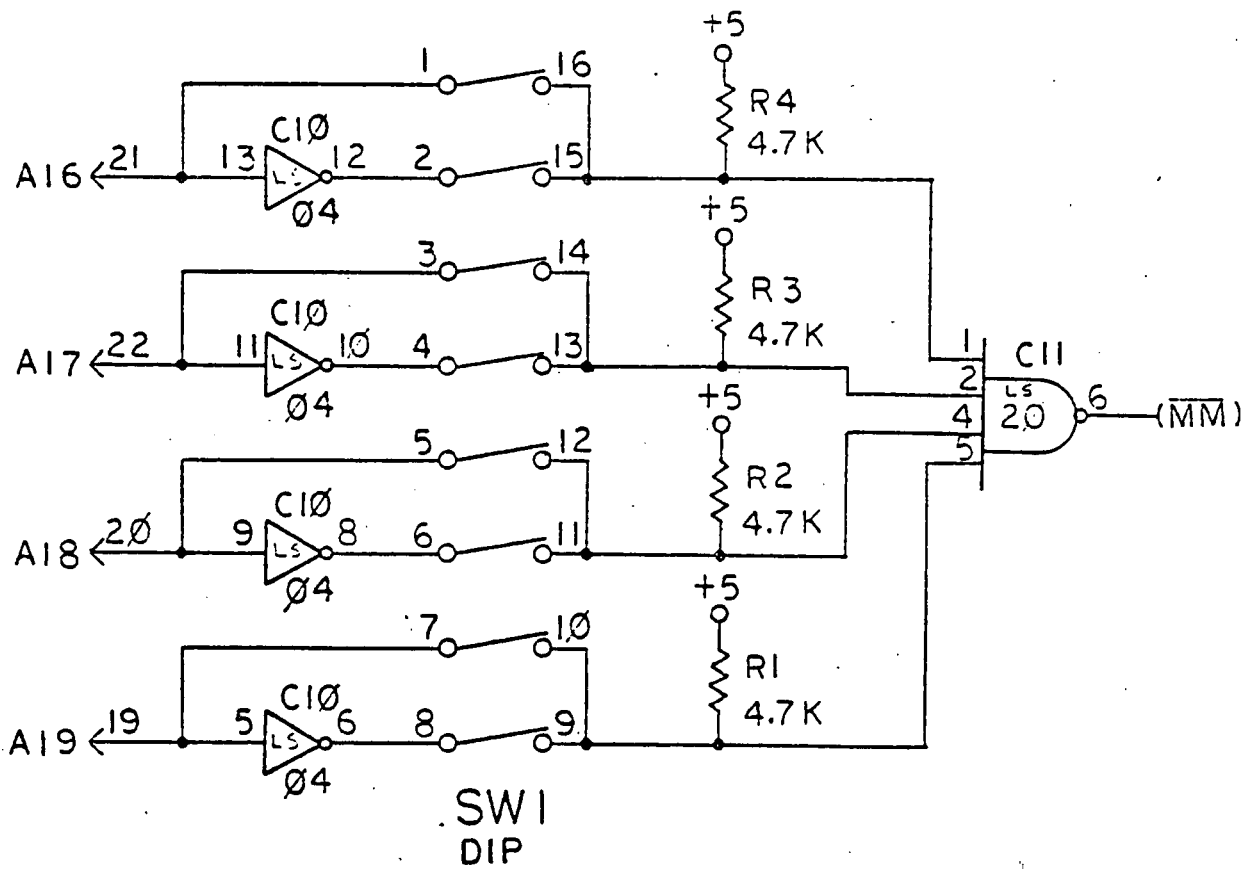
sheet 3 of 6



OHIO SCIENTIFIC		product name/number 24K MEMORY 527	
date 6-27-78	revision	page	status sheet 4 of 6



OHIO SCIENTIFIC			product name/number 24K MEMORY 527	
date 6-27-75	revision	page	status	sheet 5 of 6



PWR & GND DESIGNATIONS			
DEVICE	+5	GND	OTHER
04	14	7	
10	14	7	
20	14	7	
138	16	8	
8T26	16	8	
8T26	18	9	

UNUSED GATES	
C10 04	
C11 20	

OHIO SCIENTIFIC

product name/number
24K MEMORY 527

date	revision	page	status	sheet 6 of 6
6-27-78				