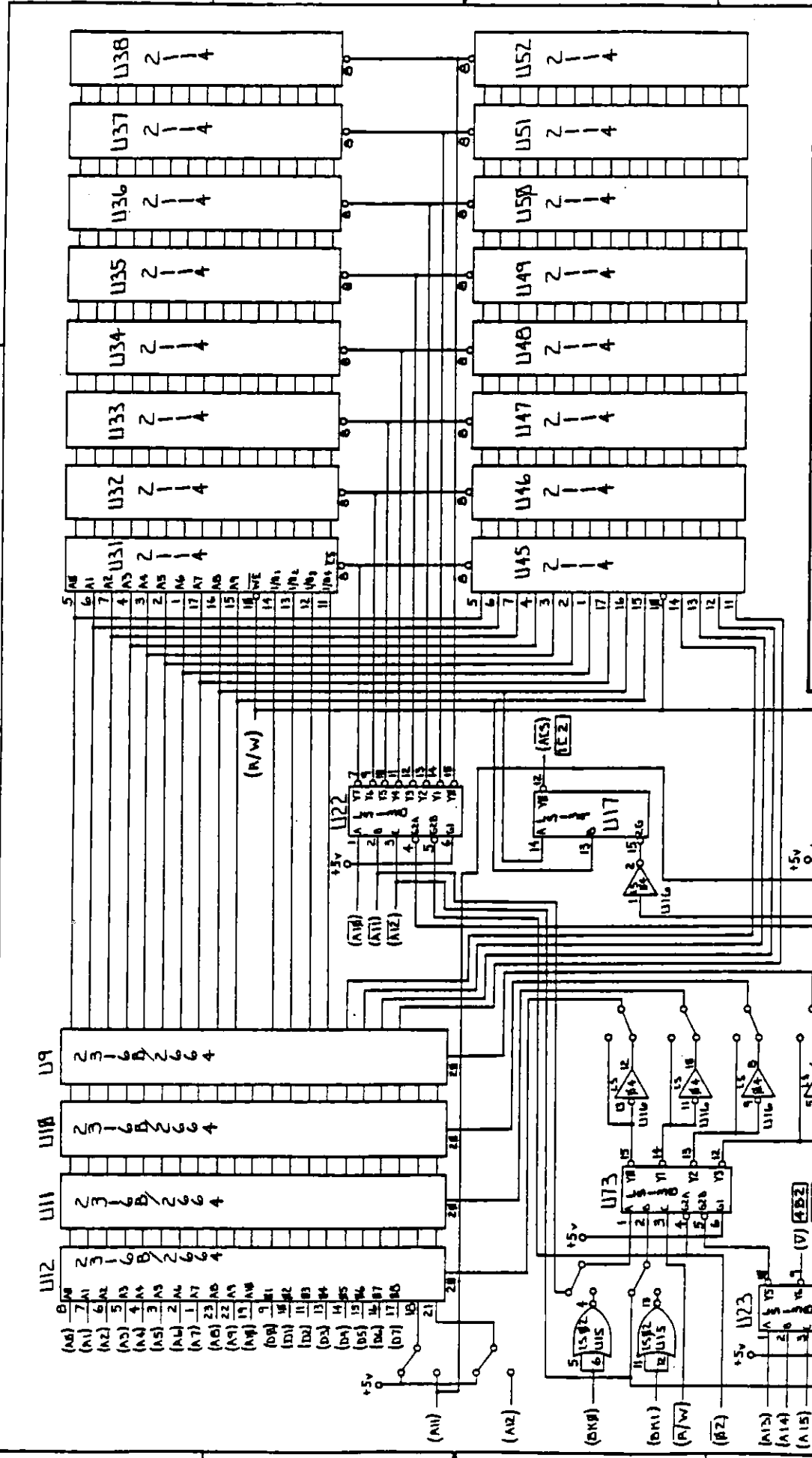


<b>OHIO SCIENTIFIC</b> product name/number SUPERBOARD 2 MODEL 600		status	
		sheet 1 of 5	
date	revision	dm.	ck.
28 AUG 1980	D	JLK	2
app. "1"		2	

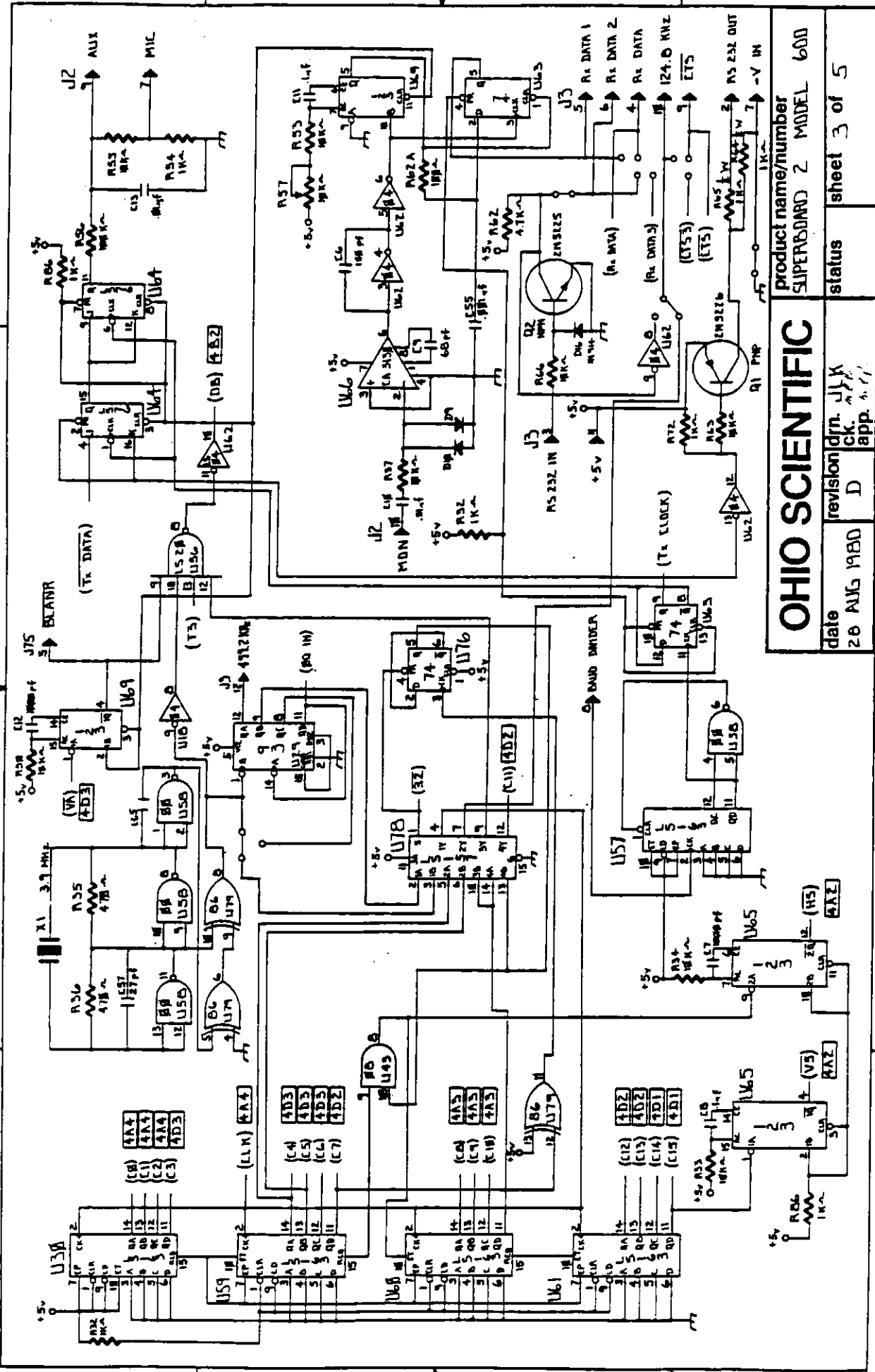
\* NORMALLY NOT INSTALLED

1 2 3 4

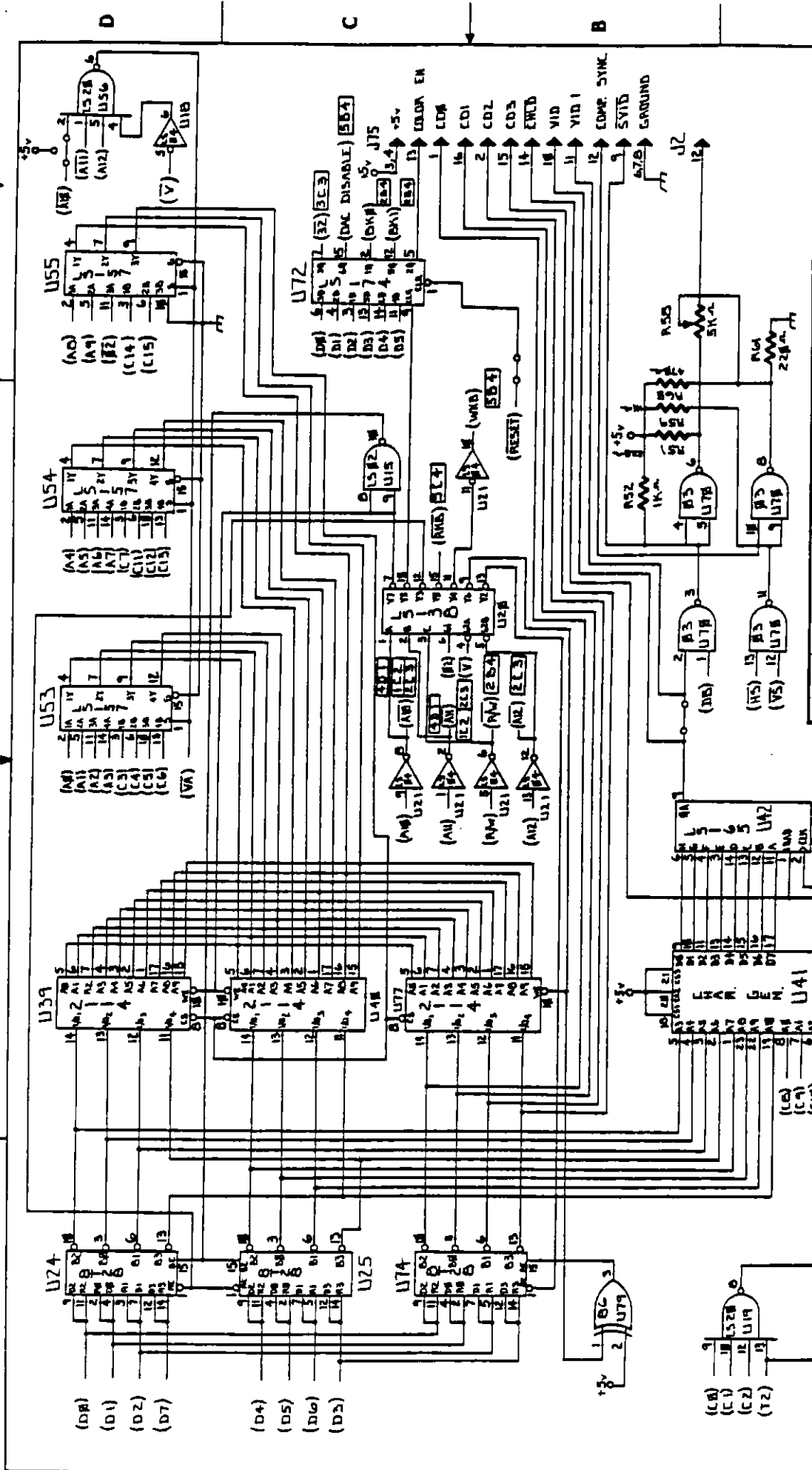


<b>OHIO SCIENTIFIC</b>		product name/number SUPRBOARD 2 MODEL 600	
date 20 AUG 1980	revision D	designer JLK	status sheet 2 of 5
		checked app. (1)	

1 2 3 4

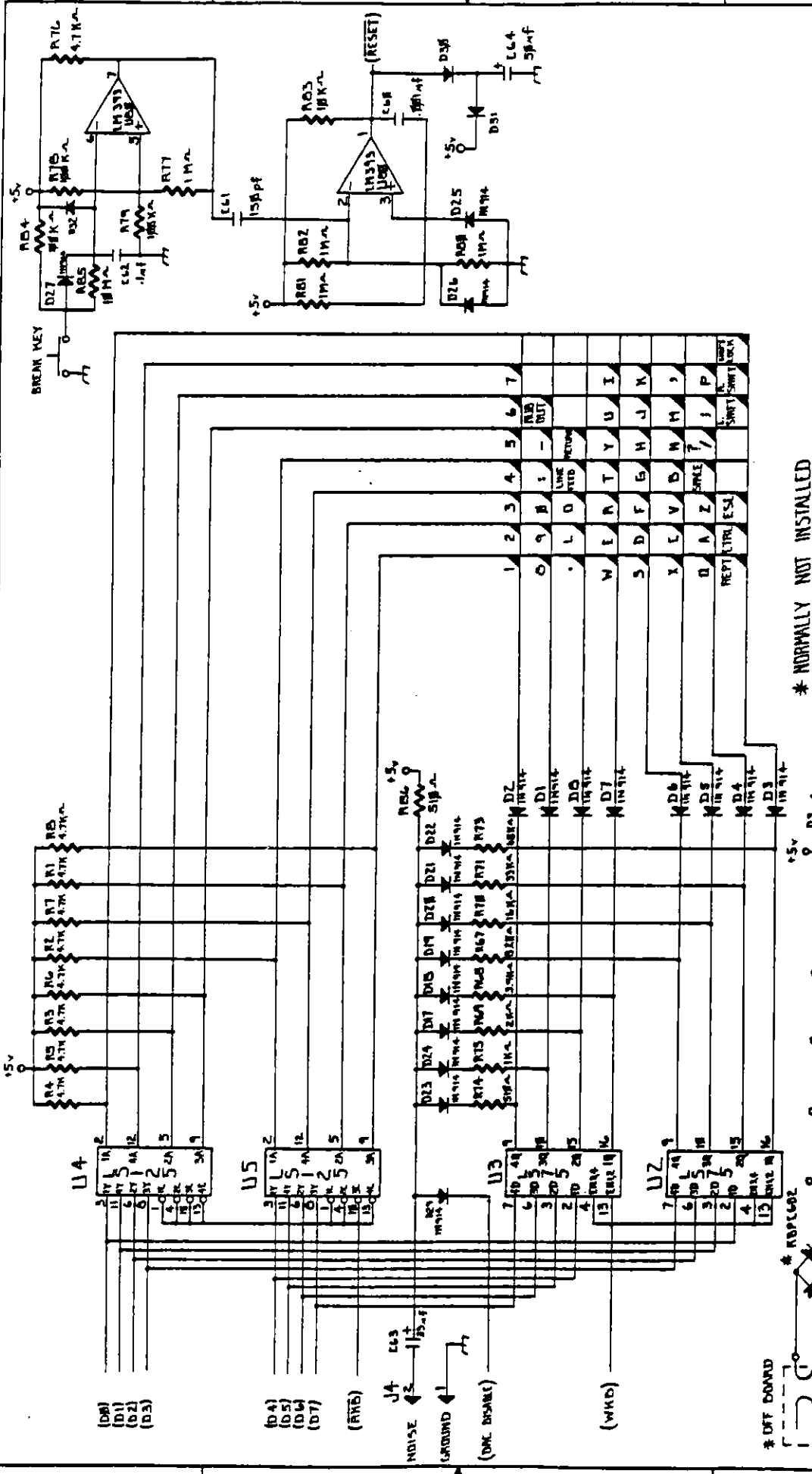


<b>OHIO SCIENTIFIC</b> product name/number SUPERBOARD 2 MODEL 600		status	
		revision	sheet 3 of 5
date	26 AUG 1980	drn. JJK	
		ck. JJK	
		app. JJK	



product name/number SUPERBOARD 2 MODEL 600		status sheet 4 of 5	
date 28 AUG 1980		revision/drn. jlx D	
OHIO SCIENTIFIC		app. m.c.	

1 2 3 4



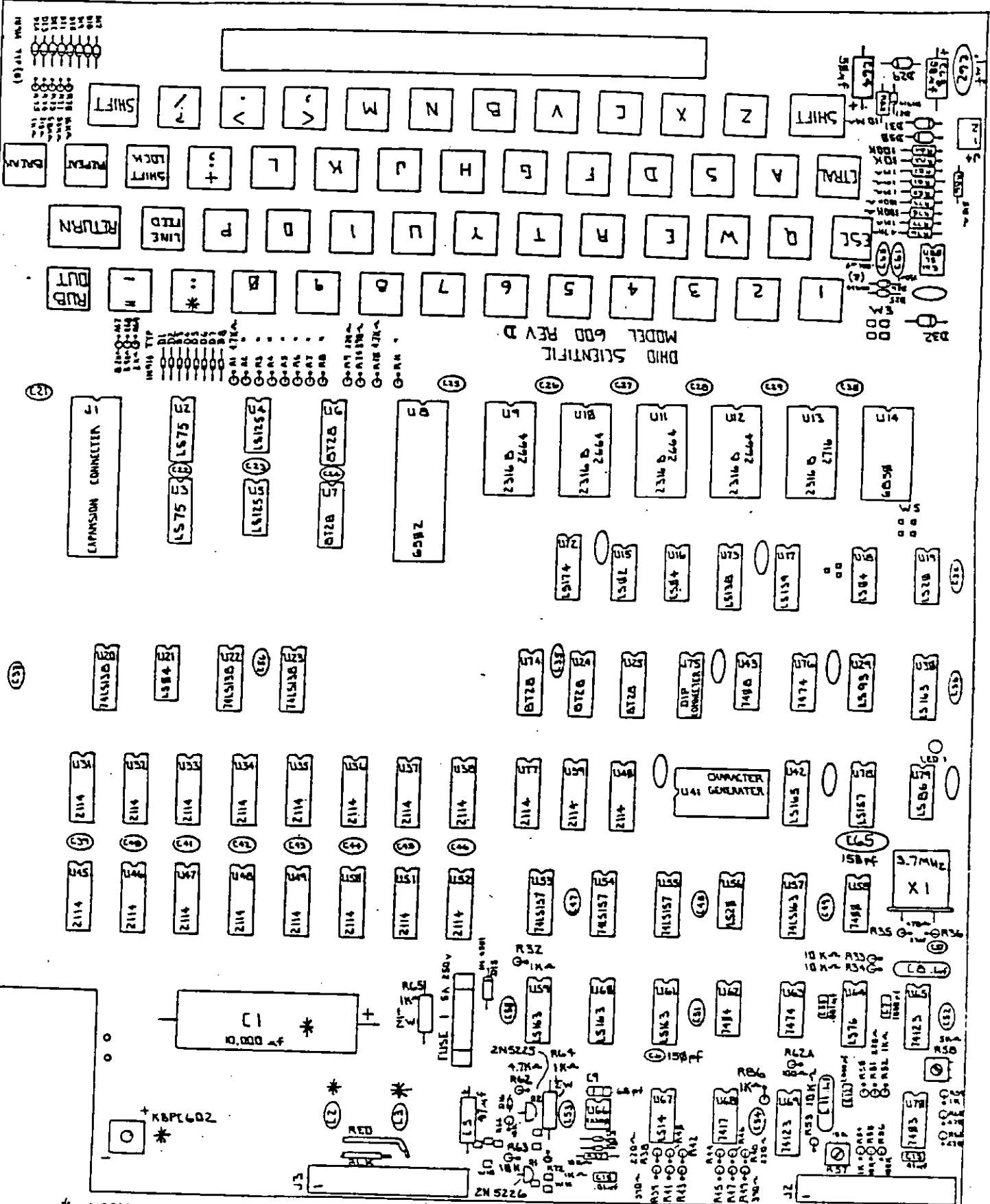
product name/number SUPERBOARD 2 MODEL 6000		status sheet 5 of 5	
date 28 AUG 1980		revision/drn. D JULY 1977	
date 28 AUG 1980		app. app. 2016	

\* NORMALLY NOT INSTALLED

# OHIO SCIENTIFIC

1 2 3 4

NOTE ~ ALL UNMARKED CAPACITORS ARE .1µF BYPASS CAPACITORS



March 4, 1981

ADDENDUM TO 600 REV. D

The following modifications are being added to the 600 Rev. D to allow the use of 2716 EPROM in place of the BASIC ROMs and CARGEN ROM (Character Generator ROM).

RE: 600 MODIFICATION FOR 2716 BASIC and CARGEN  
NORMALLY SET IN FOIL FOR ROM.

CUT PIN 20; BASIC 1-4 JUMP TO  $\overline{BS0}$  -  $\overline{BS4}$   
PIN 18; CUT FROM +5, JUMP TO GND.

CUT Pin 12 U16 (04) JUMP Pin 20 U9 to Pin 7 U17

CUT Pin 10 U16 (04) JUMP Pin 20 U11 to Pin 5 U17

CUT Pin 8 U16 (04) JUMP Pin 20 U10 to Pin 6 U17

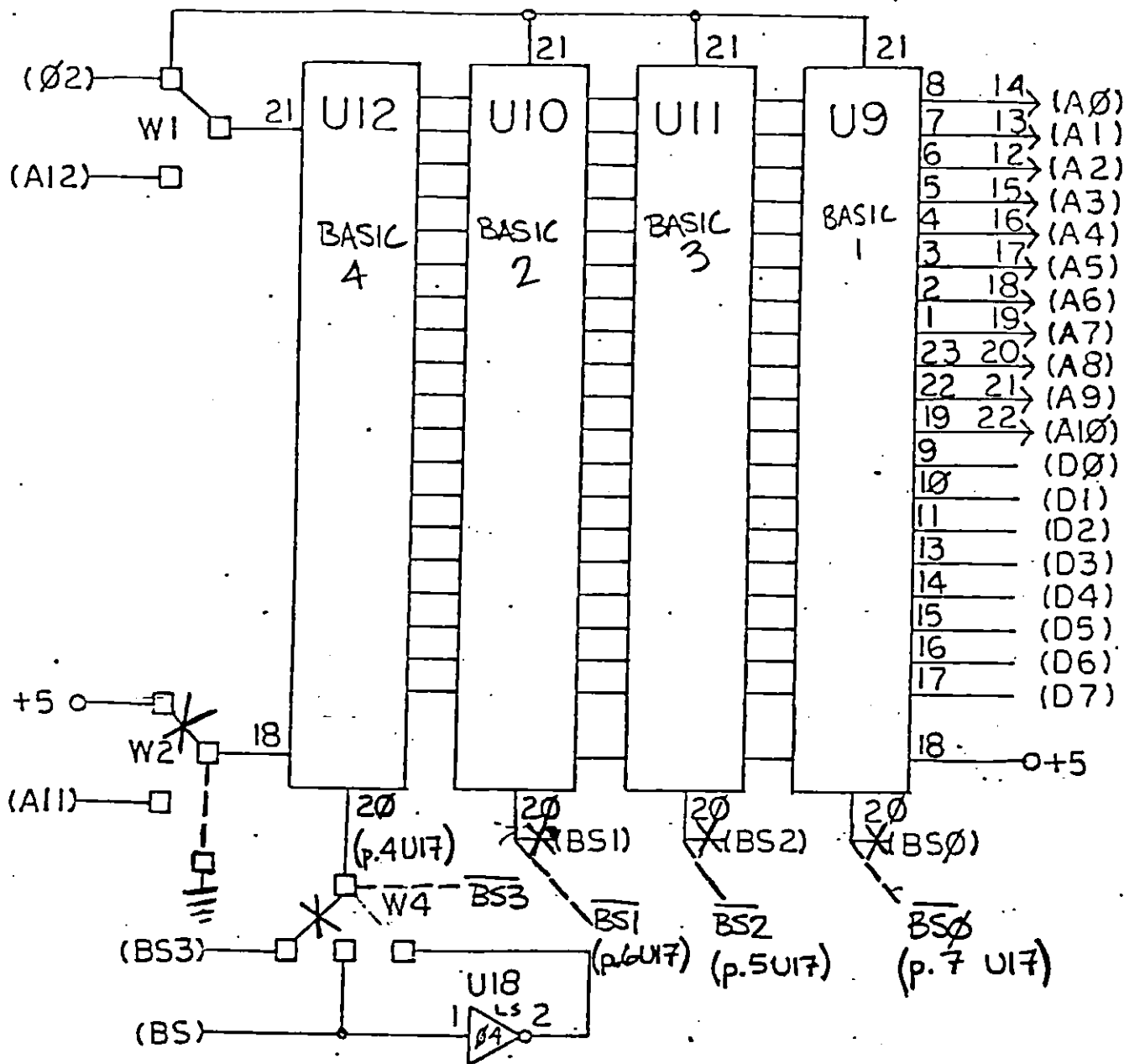
CUT Pin 6 U16 (04) JUMP Pin 20 U12 to Pin 4 U17

CUT Pin 18 U12 at W2 JUMP Pin 18 U12 to GND

CUT Pin 18 U41 from +5 JUMP Pin 18 and Pin 20 U41 to Pin 12 U41

CUT Pin 20 U41 from +5

# 2316 B / 2664 ROMS (BASIC)



--- 2716

**OHIO SCIENTIFIC**

product name/number

600D MOD. FOR 2716

date  
5 MARCH 1981

revision  
B

page

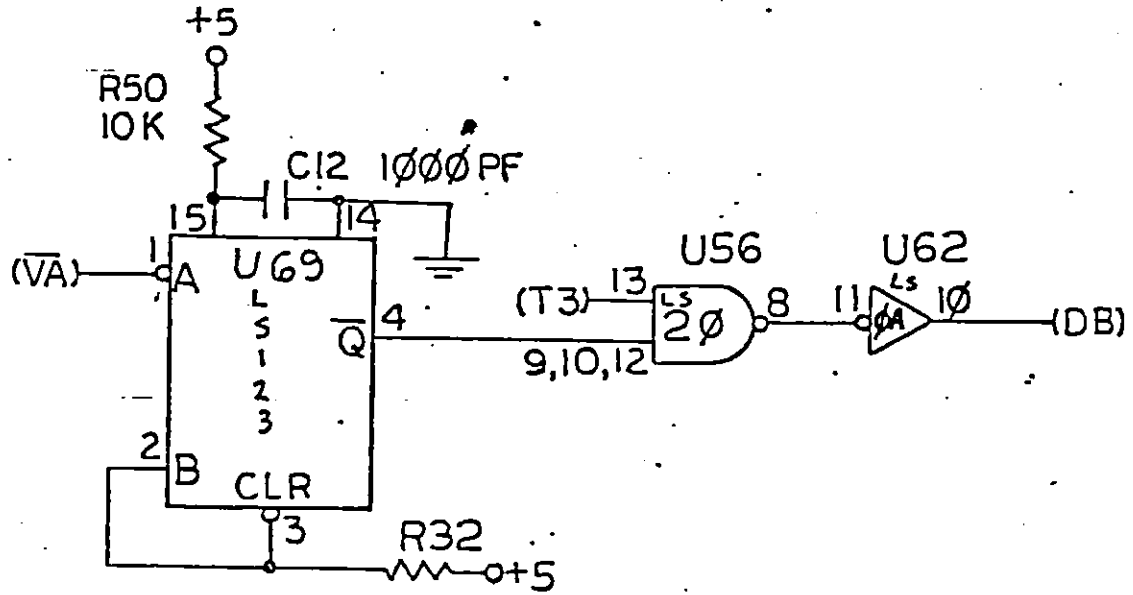
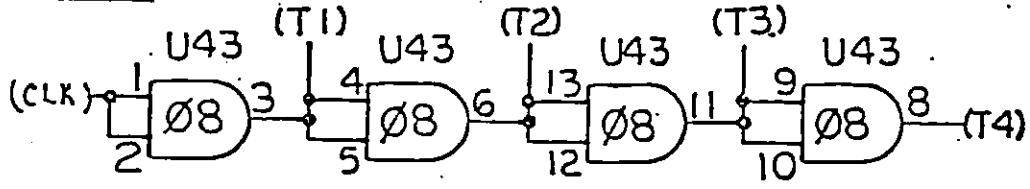
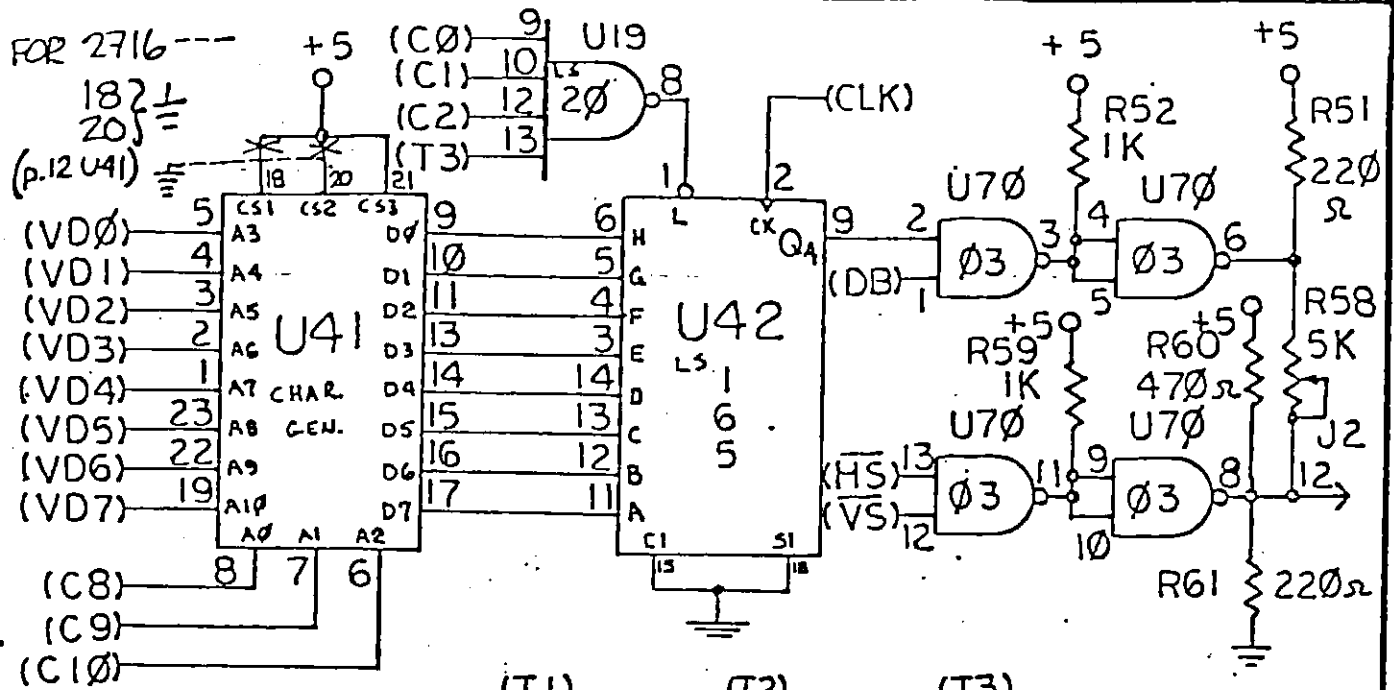
status

sheet 4 of 13



FOR 2716 ---

18  $\frac{1}{2}$   
20  $\frac{1}{2}$   
(p.12 U41)



**OHIO SCIENTIFIC**

product name/number  
600D MOD. FOR 2716

date  
5 MARCH 1981

revision  
B

page

status

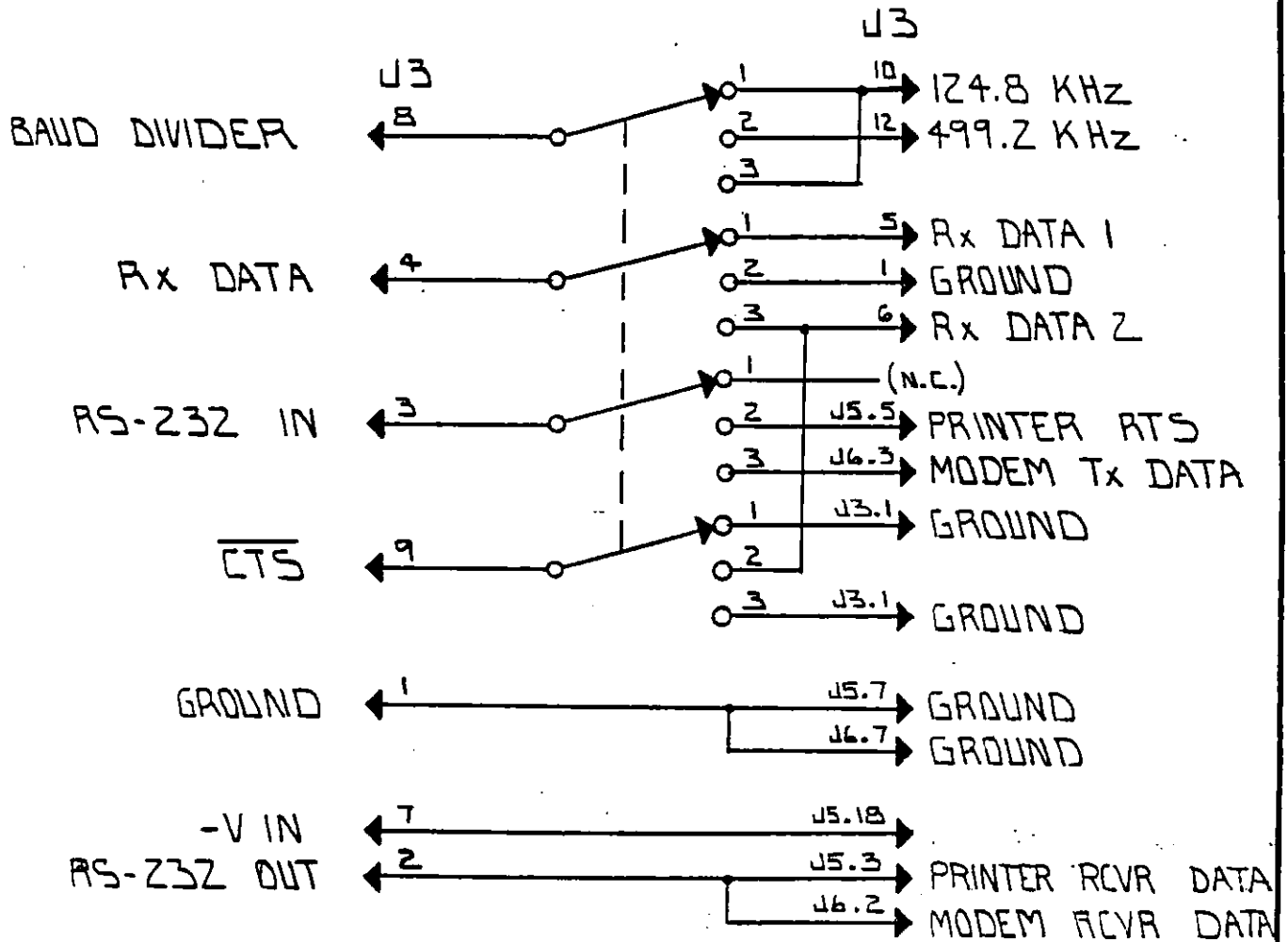
sheet 10 of 13

## SUPERBOARD II ADDENDUM

The Superboard II you are receiving is the same unit used in the new ClP Series II computer. It is a new enhanced version of the old Superboard II.

Your new Superboard has a connector installed on J3 which configures the unit for cassette operation. This must be installed for the cassette to function. The signals available on J3 allow the easy connection of a 4-pole 3-position switch so that either a printer, modem or cassette recorder can be used with the serial interface. A schematic of a switch connected for this type of operation is attached.

Another feature of this computer is power-on reset and delayed reset circuit. The BREAK key is still used to reset the computer. However, it must be depressed for approximately two seconds to complete the reset cycle. This helps prevent accidental system reset.



J3 IS 12 PIN MOLEX ON 600 BOARD  
 J5 IS RS-232 DELTA FOR PRINTER  
 J6 IS RS-232 DELTA FOR MODEM

SWITCH FOR PRINTER, MODEM, OR CASSETTE OPERATION  
 OF 600 BOARD

**OHIO SCIENTIFIC**

product name/number

date

21 OCT 1980

revision

page

status

sheet | of